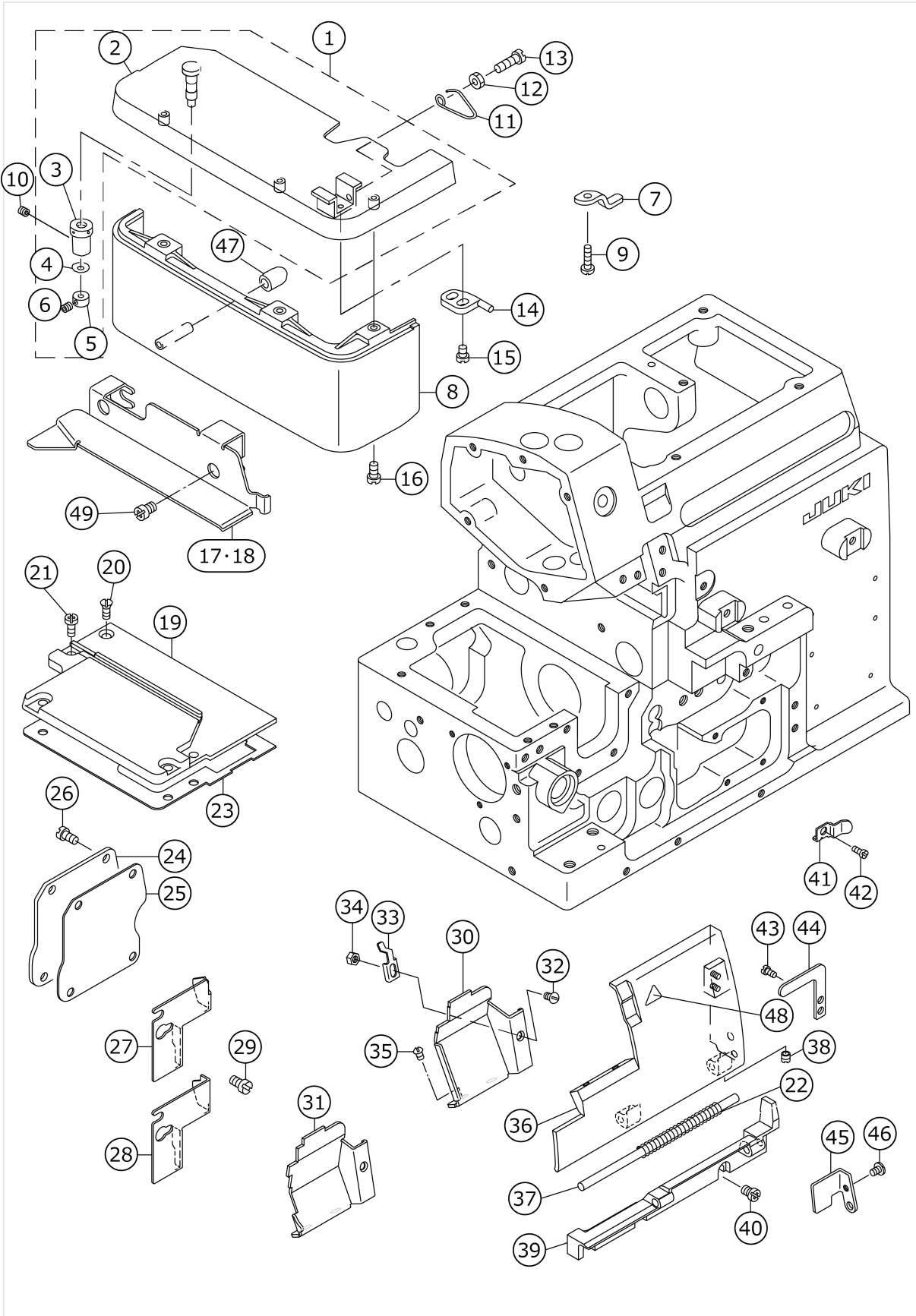


MOG-3700

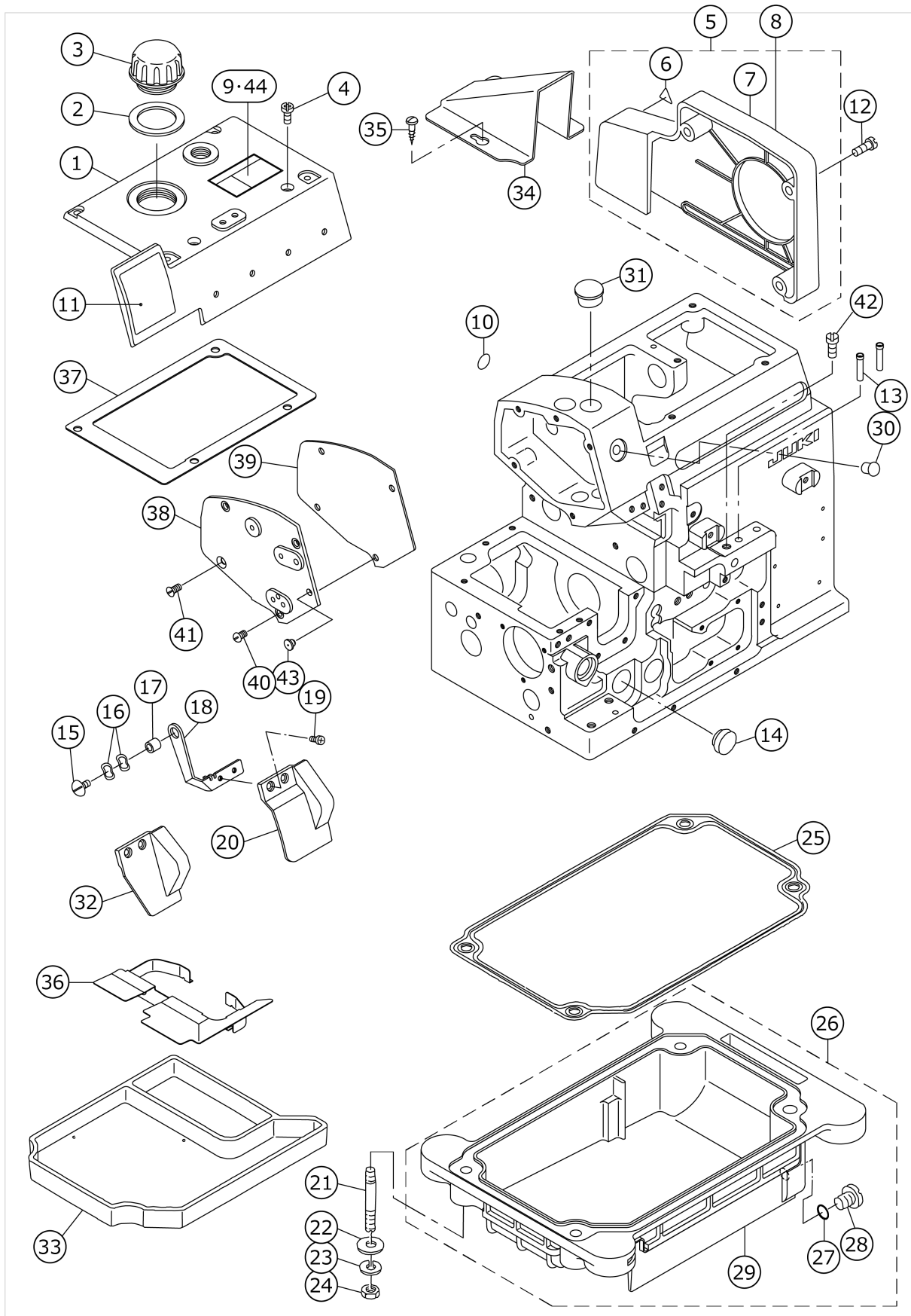
FRAME COMPONENTS (1)



No.	品番	品名	備考	子部品	消耗品	個数
1	12105359	CLOTH PLATE ASM.				1.00
2	12102752	CLOTH PLATE ASM.		*		1.00
3	11501301	ECCENTRIC BUSHING		*		1.00
4	WZ0420350KP	DISC SPRING		*		1.00
5	CS0400671SD	THRUST HOLDER		*		1.00
6	SM8040302TP	SETSCREW		*		1.00
7	12103511	CROTH PLATE SUPPORTER				1.00
8	11949005	CLOTH BASE COVER				1.00
9	SS7091410SP	SCREW 9/64-40 L=13.5				1.00
10	SS8110410TP	SCREW 11/64-40 L= 3.5				1.00
11	11802402	SPRING				1.00
12	NS6110420SP	NUT 11/64-40				1.00
13	SS6111440SP	SCREW 11/64-40 L=14.0				1.00
14	12103305	STOPPER				1.00
15	SS7110710SP	SCREW 11/64-40 L=7				2.00
16	SS4091015SP	SCREW 9/64-40 L=10				2.00
17	12370201	CLOTH BASE SIDE COVER (OVER)	FOR MOG-3704,MOG-3714			1.00
18	12370300	CLOTH BASE SIDE COVER (INTER)	FOR MOG-3716			1.00
19	12250510	FEED MECHANISM COVER				1.00
20	SM1040801SC	SCREW M4X0.7 L=8				1.00
21	SM4040855SP	SCREW				4.00
22	B1140716000	SPRING				1.00
23	12250601	GASKET				1.00
24	11951100	COVER				1.00
25	11804309	GASKET				1.00
26	SM4040855SP	SCREW				4.00
27	12102307	CHIP GUARD COVER, LEFT	FOR MOG-3704,MOG-3714			1.00
28	12102406	CHIP GUARD COVER, LEFT	FOR MOG-3716			1.00
29	SS7110510SP	SCREW 11/64-40 L=5				2.00
30	12379509	CLOTH WASTE COVER FOR 04, 14	FOR MOG-3704,MOG-3714			1.00
31	12379608	CLOTH WASTE COVER (FOR 16.43)	FOR MOG-3716	*		0.00
32	SS2090520SL	SCREW 9/64-40 L=5				1.00
33	12101515	CROTH WASTE COVER STOPPER				1.00
34	NS6090310SN	NUT 9/64-40				1.00
35	SS3090610SP	SCREW 9/64-40 L=6				2.00
36	12101309	LOOPER COVER				1.00
37	11803004	LOOPER COVER HINGE PIN				1.00
38	SS8110410TP	SCREW 11/64-40 L= 3.5				1.00
39	12101200	LOOPER COVER BRACKET				1.00
40	SM4041055SP	SCREW				3.00
41	12103404	LOOPER COVER PRESSER SPRING				1.00
42	SM4040655SP	SCREW M4 L=6				1.00
43	SS7090530SP	SCREW 9/64-40 L= 4.5				1.00
44	12103206	LOOPER COVER PRESSER PLATE				1.00
45	12101408	GUIDE PLATE				1.00
46	SS7090610SP	SCREW 9/64-40 L=6				1.00
47	11802204	RUBBER PLUG				1.00

48	CM300200001	ATTENTION SEAL	FOR JE			1.00
49	SS4120615SP	SCREW 3/16-28 L=6				2.00

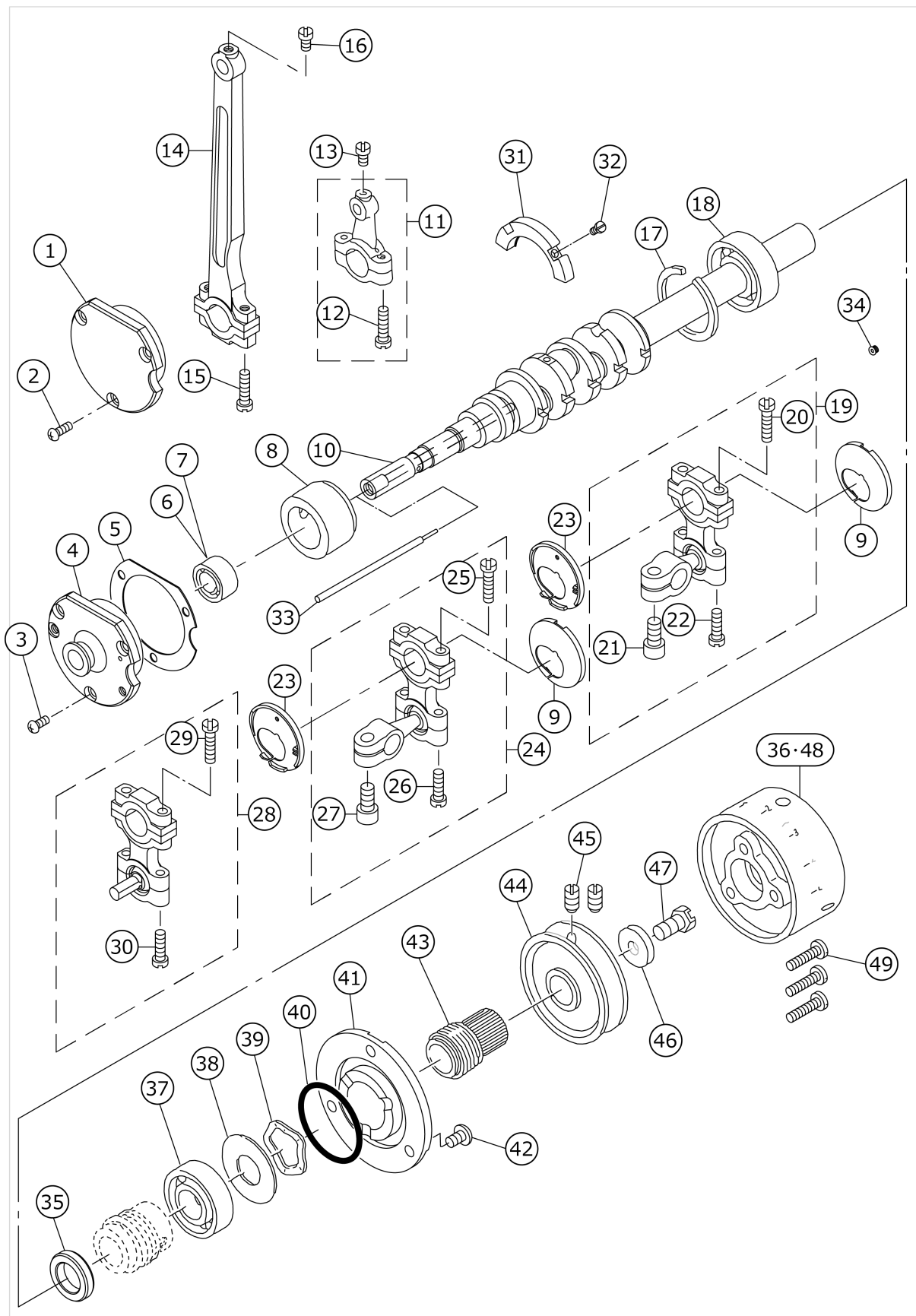
FRAME COMPONENTS (2)



No.	品番	品名	備考	子部品	消耗品	個数
1	12250304	UPPER COVER				1.00
2	12100707	GASKET				1.00
3	12100608	OIL CAP				1.00
4	SM4051255SP	SCREW.,M5 L=12.				6.00
5	12101952	BELT COVER ASM.	FOR JAPAN			1.00
6	CM3002000A1	CAUTION LABEL(16)	FOR JAPAN	*		1.00
7	12101903	BELT COVER	FOR JAPAN	*		1.00
8	12101903	BELT COVER	FOR EXPORT			1.00
9	CM3002001A1	SAFETY LABEL.,3 (SMALL).	FOR EXPORT(EXCEPT JE)			1.00
10	10004109	GROUND MARK				1.00
11	12371100	BRAND LABEL				1.00
12	SS4151215SP	SCREW 15/64-28 L=12				3.00
13	11805207	THREAD GUIDE, LARGE				2.00
14	TA1871602R0	RUBBER PLUG	FOR MOG-3704,MOG-3714			1.00
15	SS5110710SP	SCREW 11/64-40 L=7				1.00
16	WZ0850302K0	WAVED WASHER 8.5X12.5X0.3				2.00
17	B3013141H0A	WASHER				1.00
18	12102000	SAFETY PLATE BRACKET				1.00
19	SS7090611SL	SCREW 9/64-40 L=6.1				2.00
20	12102109	SAFETY PLATE	FOR MOG-3716			1.00
21	11503703	SCREW STUD				4.00
22	WP0751576SD	WASHER 7.5X19X1.5				4.00
23	WS0822010KP	SPRING WASHER 8.2X15X2				4.00
24	NS6680410SP	NUT 9/32-28				4.00
25	11503919	OIL RESERVOIR GASKET				1.00
26	11503885	OIL RESERVOIR ASM.				1.00
27	RO074240100	RUBBER RING		*		1.00
28	SM0081001SD	SCREW		*		1.00
29	11503810	OIL RESERVOIR		*		1.00
30	TA0750704R0	RUBBER PLUG				1.00
31	TA1701107R0	RUBBER PLUG				1.00
32	12104907	SAFETY PLATE	FOR MOG-3704,MOG-3714			1.00
33	11841350	FILTER BASE ASM.				1.00
34	12105201	BELT COVER	FOR JE			1.00
35	SK3412000SC	WOOD SCREW D=4.1 L=20	FOR JE			2.00
36	11842804	SHELTER PLATE				1.00
37	12250403	UPPER COVER GASKET				1.00
38	12250205	SIDE COVER				1.00
39	12100301	SIDE COVER GASKET				1.00
40	SM4040855SP	SCREW				3.00
41	SM1040801SC	SCREW M4X0.7 L=8				1.00
42	SS9151210TP	SCREW 15/64-28 L=11.8				1.00
43	12258000	BUSH				1.00
44	CM300200101	SAFETY LABEL, 1(SMALL).	FOR JAPAN			1.00
45	CM3002001A1	SAFETY LABEL.,3 (SMALL).	FOR EXPORT(EXCEPT JE)			1.00
46	10004109	GROUND MARK				1.00

47	12371100	BRAND LABEL				1.00
----	----------	-------------	--	--	--	------

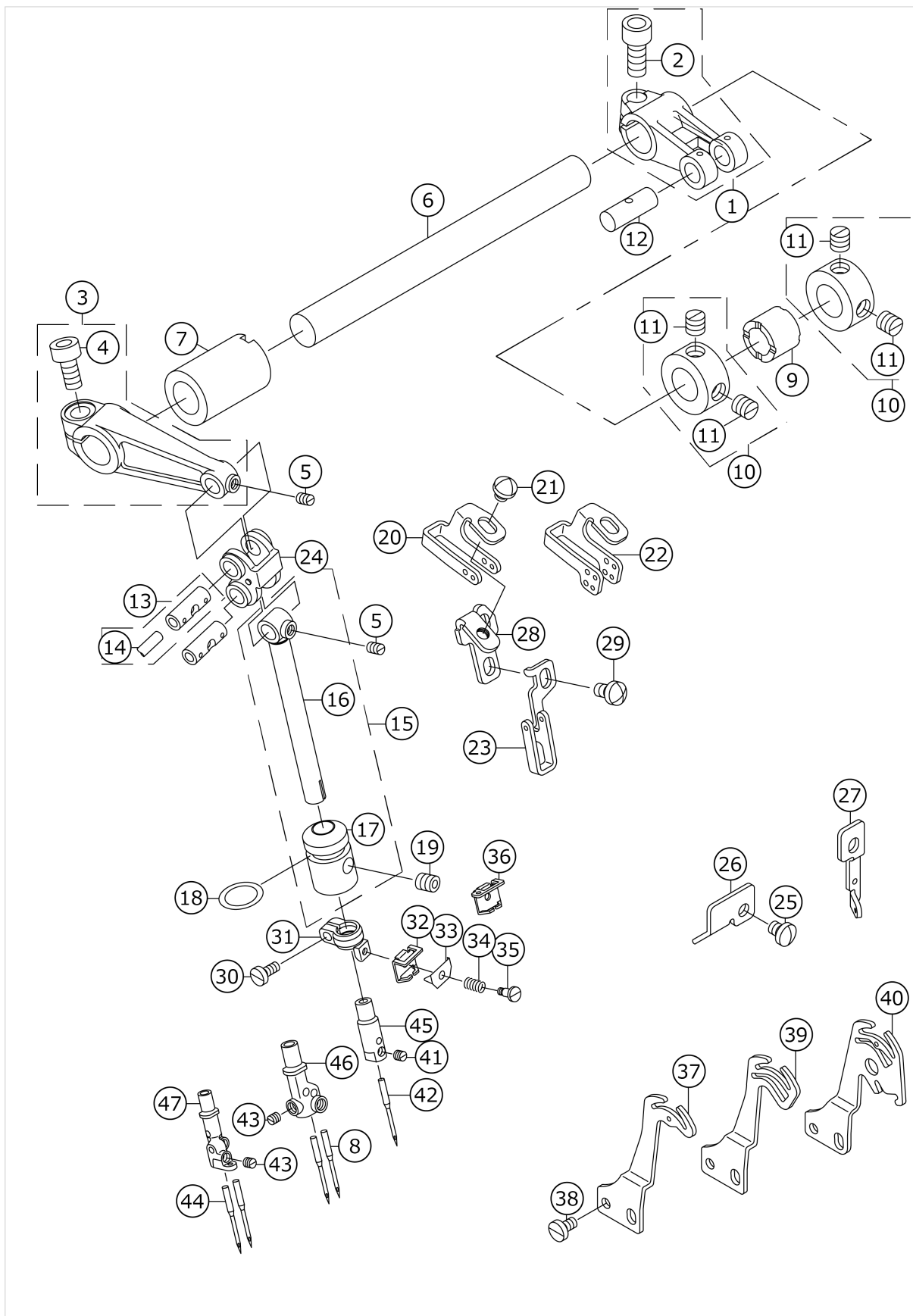
CRANKSHAFT COMPONENTS



No.	品番	品名	備考	子部品	消耗品	個数
1	12108213	CRANKSHAFT BUSHING D	FOR MOG-3704,MOG-3714			1.00
2	SM4040855SP	SCREW	FOR MOG-3704,MOG-3714			3.00
3	SM4040855SP	SCREW	FOR MOG-3716			3.00
4	12108304	CRANKSHAFT BUSHING D	FOR MOG-3716			1.00
5	12108403	GASKET				1.00
6	B1215804000	BALL BEARING D	FOR MOG-3704,MOG-3714			1.00
7	SB110000300	BALL BEARING	FOR MOG-3716			1.00
8	12108007	CRANKSHAFT BUSHING C				1.00
9	12375408	STOPPER (R)				2.00
10	12371506	CRANK SHAFT				1.00
11	12132155	KNIFE DRIVING ROD ASM.				1.00
12	SS7111810TP	SCREW 11/64-40 L=18		*		1.00
13	SS7110840SP	SCREW 11/64-40 L=7.8				2.00
14	12372603	CONNECTING ROD				1.00
15	SS7111810TP	SCREW 11/64-40 L=18				2.00
16	SS7110840SP	SCREW 11/64-40 L=7.8				1.00
17	B1212704000	BEARING RETAINER				1.00
18	B1211804000	BALL BEARING B				1.00
19	12375051	UPPER LOOPER ARM ASM.				1.00
20	SS7111810TP	SCREW 11/64-40 L=18		*		2.00
21	SM6061202TP	SCREW M6 L=12		*		1.00
22	SS7111410TP	SCREW 11/64-40 L=14		*		2.00
23	12375309	STOPPER (L)				2.00
24	12375150	LOWER LOOPER ARM A ASM.	FOR MOG-3704,MOG-3714			1.00
25	SS7111810TP	SCREW 11/64-40 L=18		*		2.00
26	SS7111410TP	SCREW 11/64-40 L=14		*		2.00
27	SM6061202TP	SCREW M6 L=12		*		1.00
28	12375259	LOWER LOOPER ARM B ASM.	FOR MOG-3716			1.00
29	SS7111810TP	SCREW 11/64-40 L=18		*		2.00
30	SS7111410TP	SCREW 11/64-40 L=14		*		2.00
31	12107900	BALANCER				1.00
32	SS4080620TP	SCREW 1/8-44 L=6				2.00
33	12108106	OIL ADJUSTING BAR				1.00
34	SS5080212TP	SCREW 1/8-44 L=2				5.00
35	12252508	THRUST COVER				1.00
36	11956505	HANDWHEEL C	FOR MOG-3714			1.00
37	B1211804000	BALL BEARING B				1.00
38	11510609	WASHER				1.00
39	WZ2640310KH	WAVED WASHER 26.4X33.9X3.5				1.00
40	RO347350100	RUBBER RING				1.00
41	12107702	THRUST HOLDER				1.00
42	SM4050855SP	SCREW				3.00
43	12280103	OIL SHIELD				1.00
44	12002606	HANDWHEEL A				1.00
45	SS8151150SP	SCREW 15/64-28 L=10.5				2.00
46	WP0764016SP	WASHER				1.00

47	SS9681610TP	SCREW 9/32-28 L=16				1.00
48	12025706	FLYWHEEL (C)	FOR MOG-3704,MOG-3716			1.00
49	SS7111810SP	SCREW 11/64-40 L=18				3.00
50	12107900	BALANCER				1.00
51	SS4080620TP	SCREW 1/8-44 L=6				2.00
52	12108106	OIL ADJUSTING BAR				1.00
53	SS5080212TP	SCREW 1/8-44 L=2				5.00
54	12252508	THRUST COVER				1.00
55	11956505	HANDWHEEL C	FOR MOG-3714			1.00

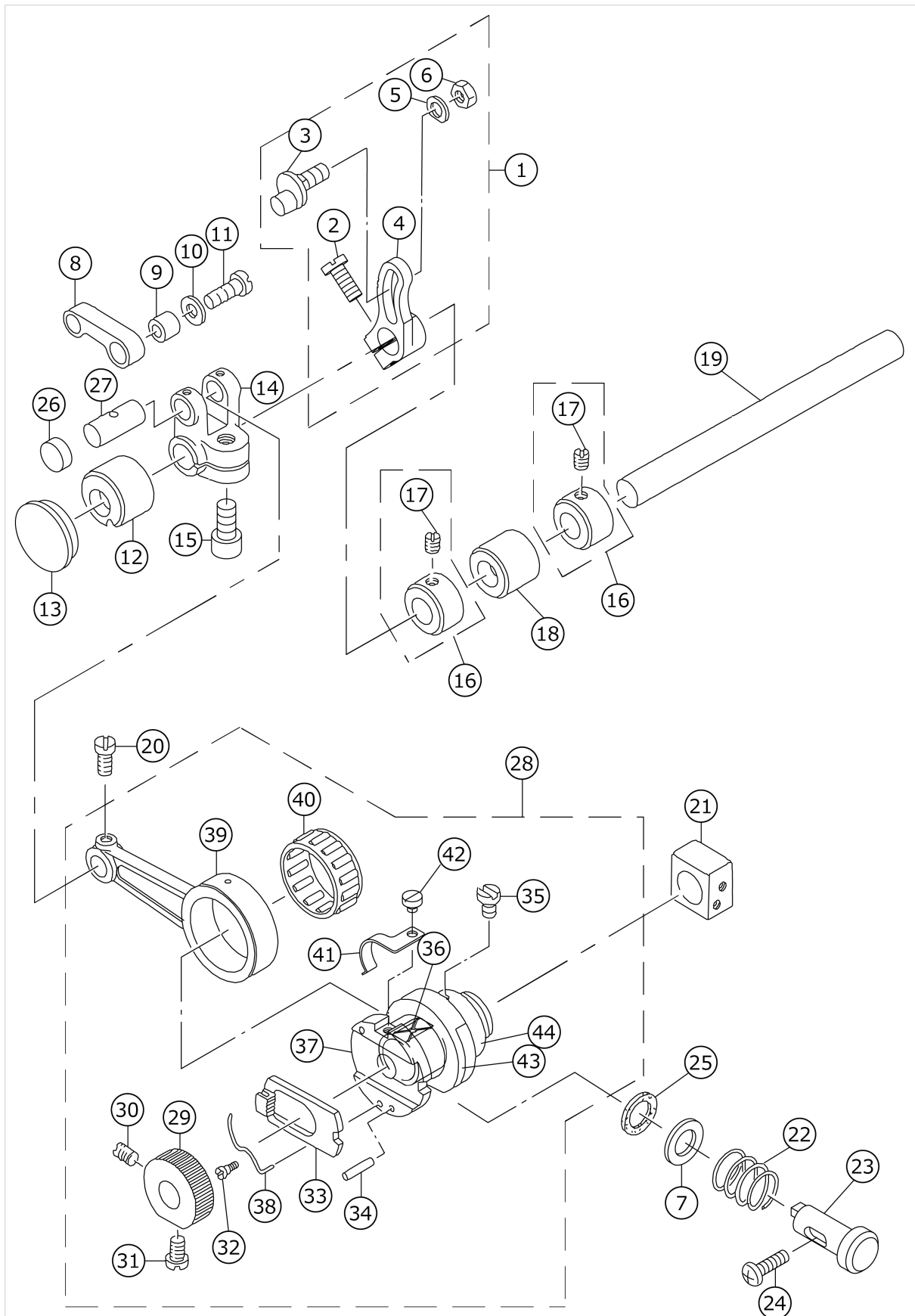
NEEDLE DRIVING SHAFT COMPONENTS



No.	品番	品名	備考	子部品	消耗品	個数
1	12109260	FEED FORKED CRANK ASM.				1.00
2	SM6061402TP	SCREW M6 L=14		*		1.00
3	12109666	NEEDLE DRIVING ARM ASM.				1.00
4	SM6061402TP	SCREW M6 L=14		*		1.00
5	SS8090530TP	SCREW 9/64-40 L= 5.0				2.00
6	12109302	NEEDLE DRIVING SHAFT				1.00
7	12252805	BUSHING,REAR				1.00
8	MDO500S1800	NEEDLE DOX5 #18S	FOR MOG-3714			2.00
9	12109500	BUSHING, REAR				1.00
10	CS1201010SH	THRUST COLLAR ASM. D=12 W=10				2.00
11	SS8660610TP	SCREW 1/4-40 L=6		*		4.00
12	11823804	CRANK PIN C	SELECTING PART FOR FIT TOLER ANCE			1.00
13	12109955	LINK PIN C ASM.	SELECTING PART FOR FIT TOLER ANCE			2.00
14	CQ252000000	OIL WICK		*		0.10
15	12372157	NEEDLE HOLDER ASM.				1.00
16	12110227	NEEDLE BAR		*		1.00
17	12372108	NEEDLE HOLDER METAL		*		1.00
18	RO108240100	RUBBER RING				1.00
19	SM8040612TP	SCREW M4 L=6				1.00
20	12111209	NEEDLE THREAD GUIDE	FOR MOG-3704,MOG-3716			1.00
21	SS4110515SP	SCREW 11/64-40 L=5				1.00
22	12111308	THREAD GUIDE, 2-NEEDLE	FOR MOG-3714			1.00
23	12386603	THREAD GUIDE, CHAIN LOOPER	FOR MOG-3716			1.00
24	12372009	NEEDLE DRIVING LINK				1.00
25	SM4040855SP	SCREW				1.00
26	12372306	TAKE-UP LEVER GUIDE	FOR MOG-3714			1.00
27	12372405	CHAIN LOOP	FOR MOG-3716			1.00
28	12112108	NEEDLE THREAD GUIDE STAND				1.00
29	SM4040855SP	SCREW				2.00
30	SS6080720SP	SCREW				1.00
31	12280608	NEEDLE CLAMP HOLDER				1.00
32	12110607	NEEDLE THREAD PRESSER GUIDE, A	FOR MOG-3704,MOG-3714			1.00
33	12110904	NEEDLE THREAD PRESSER PLATE				1.00
34	12110805	NEEDLE THREAD PRESSER SPRING				1.00
35	SD0280401SL	HINGE SCREW D=2.8 H=4				1.00
36	12110706	NEEDLE THREAD PRESSER GUIDE, B	FOR MOG-3716			1.00
37	12111506	NEEDLE THREAD TAKE-UP LEVER	FOR MOG-3704			1.00
38	SS6090670TP	SCREW 9/64-40 L=6				2.00
39	12111605	TAKE-UP LEVER, 2-NEEDLE	FOR MOG-3714			1.00
40	12372207	THREAD TAKE-UP LEVER	FOR MOG-3716			1.00
41	SS8080310TP	SCREW 1/8-44 L=2.8	FOR MOG-3704			1.00
42	MDO500S2100	NEEDLE DOX5 #21S	FOR MOG-3704			1.00
43	SS8080310TP	SCREW 1/8-44 L=2.8	FOR MOG-3714,MOG-3716			2.00

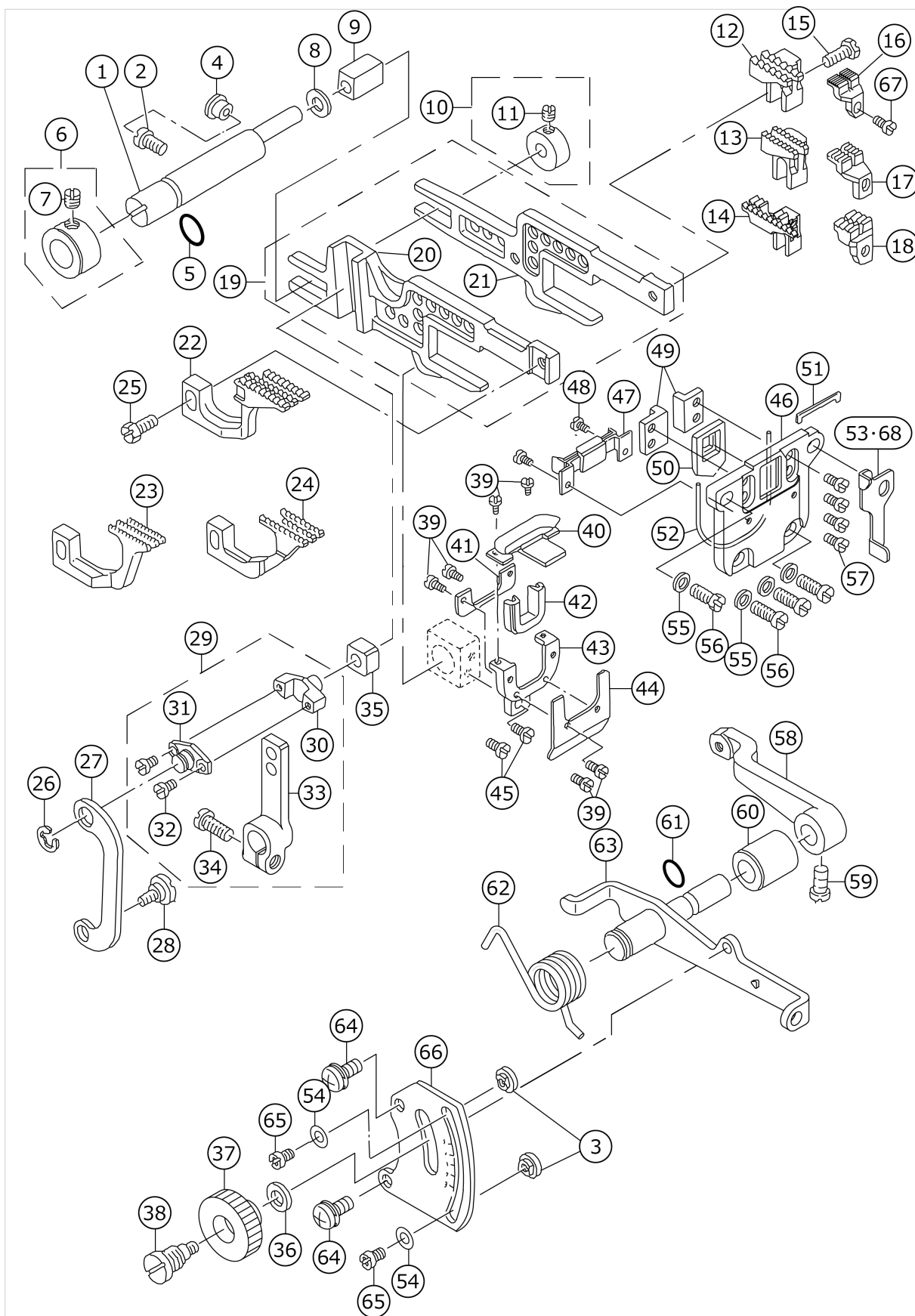
44	MDO500S2100	NEEDLE DOX5 #21S	FOR MOG-3716			2.00
45	12378816	NEEDLE CLAMP	FOR MOG-3704			1.00
46	12378915	2-NEEDLE NEEDLE CLAMP	FOR MOG-3714			1.00
47	12379012	NEEDLE CLAMP	FOR MOG-3716			1.00

FEED MECHANISM COMPONENTS (1)



No.	品番	品名	備考	子部品	消耗品	個数
1	11824067	MAIN FEED ROCKER ASM.				1.00
2	SM6051202TP	SCREW M5X0.8 L=12		*		1.00
3	11824018	PIN		*		1.00
4	11530110	MAIN FEED ROCKER		*		1.00
5	11948601	WASHER B		*		1.00
6	NS6620320SP	NUT 3/16-32		*		1.00
7	B1654704000	WASHER				1.00
8	11824109	MAIN FEED LINK				1.00
9	B1620804000	COLLAR				1.00
10	B2107816000	WASHER				1.00
11	SS6121220TP	SCREW 3/16-28 L=11.5				1.00
12	12117206	FEED ROCKER SHAFT BUSHING, FRO				1.00
13	TA2050416R0	RUBBER PLUG				1.00
14	12119210	FORKED CRANK				1.00
15	SM6061402TP	SCREW M6 L=14				1.00
16	CS095081ASH	THRUST COLLAR ASM. D=9.53 W=8				2.00
17	SS8110410TP	SCREW 11/64-40 L= 3.5		*		4.00
18	12117305	FEED ROCKER SHAFT BUSHING, REA				1.00
19	12118907	FEED SHAFT				1.00
20	SS7110910TP	SCREW 11/64-40 L= 8.5				1.00
21	11828704	SLIDE BLOCK				1.00
22	B1652704000	SPRING				1.00
23	12287603	PUSH BUTTON STUD				1.00
24	SM4041455SN	SCREW M4 L=14				1.00
25	B1651704000	FELT				1.00
26	TA1030402R0	RUBBER PLUG D=10.3 L=4				1.00
27	11823804	CRANK PIN C	SELECTING PART FOR FIT TOLER ANCE			1.00
28	12116174	FEED ECCENTRIC BODY ASM.				1.00
29	B1605704000	RATCHET GEAR		*		1.00
30	SS8110750SP	SCREW 11/64-40 L= 6.5		*		1.00
31	SS6110710TP	SCREW 11/64-40 L= 6.5		*		1.00
32	SD0260271SP	HINGE SCREW D= 2.60 H= 2.7		*		1.00
33	B1604704000	RATCHET PAWL		*		1.00
34	PS0300132KH	SPRING PIN 3X13		*		2.00
35	SS7110810SP	SCREW 11/64-40 L= 8.0		*		2.00
36	12116307	FEED CAM BLOCK		*		1.00
37	12116406	FEED ADJUSTING CAM		*		1.00
38	B1606704000	RATCHET PAWL SPRING		*		1.00
39	12116505	CRANK ROD		*		1.00
40	12116703	NEEDLE BEARING B	SELECTING PART FOR FIT TOLER ANCE	*		1.00
41	12117107	RATCHET GEAR SPRING		*		1.00
42	SS6080320SP	SCREW 1/8-44 L= 2.5		*		1.00
43	12116208	FEED CAM		*		1.00
44	12116109	FEED ECCENTRIC BODY		*		1.00

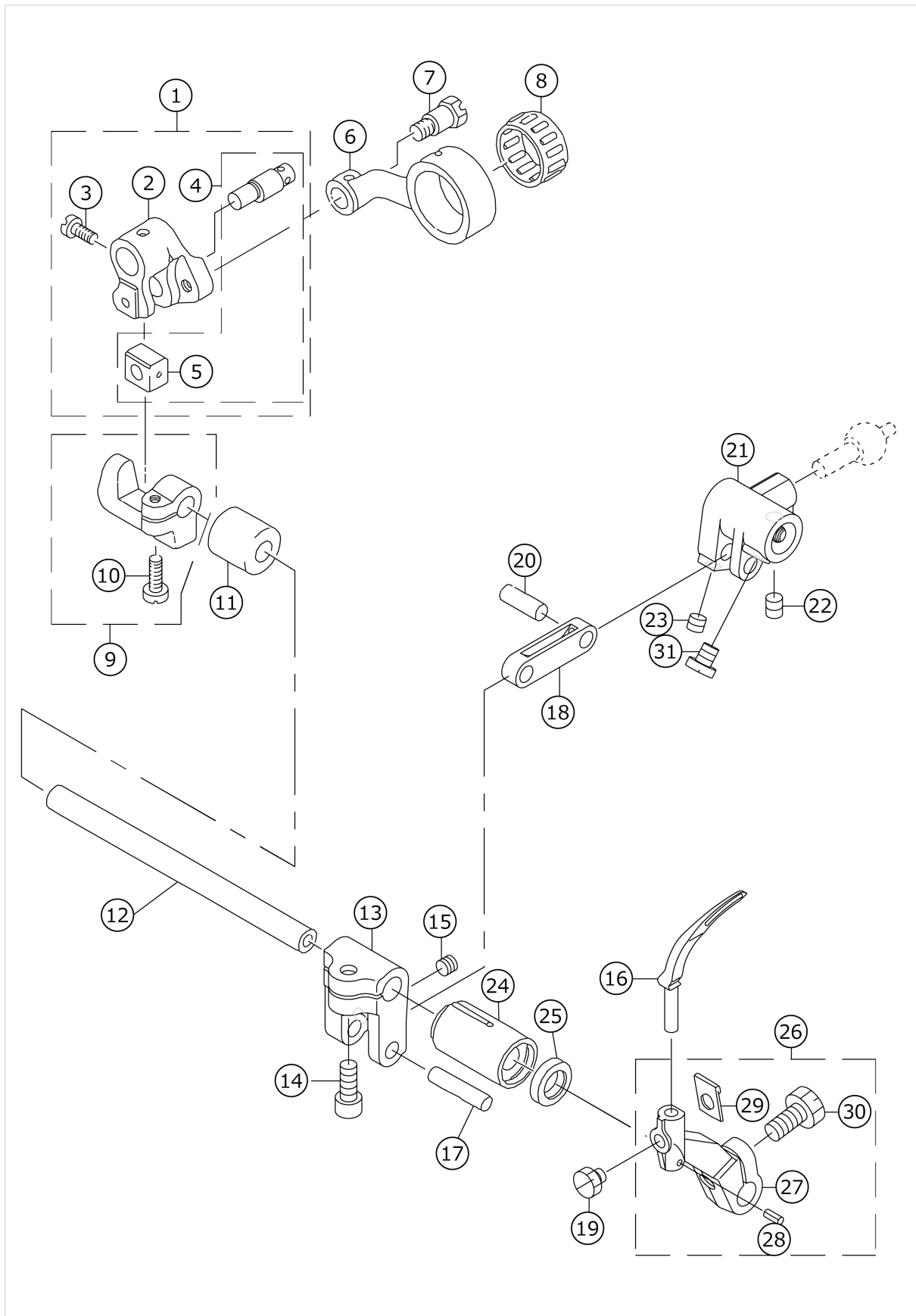
FEED MECHANISM COMPONENTS (2)



No.	品番	品名	備考	子部品	消耗品	個数
1	11824505	FEED BAR SHAFT				1.00
2	SM4040855SP	SCREW				1.00
3	11529005	STOPPER				2.00
4	TA0800504R0	PLUG D=8 L=4.5				1.00
5	RO078190100	RUBBER RING				1.00
6	11824653	THRUST COLLAR ASM.				1.00
7	SS8660330SP	SCREW 1/4-40 L= 3.0		*		1.00
8	11529914	WASHER				1.00
9	B1624704000	SLIDE BLOCK				1.00
10	11828050	COLLAR ASM.				1.00
11	SS8110410TP	SCREW 11/64-40 L= 3.5		*		1.00
12	11701604	MAIN FEED DOG	FOR MOG-3704			1.00
13	12013306	MAIN FEED DOG	FOR MOG-3714			1.00
14	12382503	MAIN FEED DOG	FOR MOG-3716			1.00
15	SS9111050SP	SCREW 11/64-40 L=9.5				1.00
16	12383402	AUXILIARY FEED DOG	FOR MOG-3704			1.00
17	11651809	AUXILIARY FEED DOG	FOR MOG-3714			1.00
18	11528502	AUXILIARY FEED DOG	FOR MOG-3716			1.00
19	12117461	MAIN FEED BAR ASM.				1.00
20	12117511	DIFFERENTIAL FEED BAR		*		1.00
21	12117412	MAIN FEED BAR		*		1.00
22	11701703	DIFFERENTIAL FEED DOG	FOR MOG-3704			1.00
23	12013405	SUB FEED DOG	FOR MOG-3714			1.00
24	11528403	DIFFERENTIAL FEED DOG	FOR MOG-3716			1.00
25	SS9111010SP	SCREW 11/64-40 L=9.5				1.00
26	RE0500000K0	E-RING				1.00
27	11826310	ADJUSTING LINK				1.00
28	SD0720271SP	HINGE SCREW D=7,2 H=2,7				1.00
29	11828563	DIFFERENTIAL FEED ROCKER ASM.				1.00
30	11825304	PIN		*		1.00
31	11826401	PIN COVER		*		1.00
32	SS6080410SP	SCREW 1/8-44 L=4		*		2.00
33	11828514	DIFFERENTIAL FEED ROCKER ASM.		*		1.00
34	SM6051202TP	SCREW M5X0.8 L=12		*		1.00
35	B1414555000	SLIDE BLOCK				1.00
36	WP0621016SD	WASHER 6.2X13X1				1.00
37	B1647704000A	DIFFERENTIAL FEED LOCK NUT				1.00
38	B1646704000A	DIFFERENTIAL FEED HINGE SCREW				1.00
39	SS7060310SP	SCREW 3/32-56 L=3				6.00
40	12119756	RUBBER PLATE ASM.				1.00
41	12119806	RUBBER PRESSER PLATE				1.00
42	12119608	OIL SHIELD RUBBER				1.00
43	12119905	RUBBER COVER				1.00
44	12120002	RUBBER BASE PLATE				1.00
45	SS7090620TP	SCREW 9/64-40 L=6.1				2.00
46	12119400	RUBBER CASE				1.00
47	11827607	OIL SHIELD RUBBER,LOWER				1.00
48	SS7060510SP	SCREW 3/32-56 L=4.8				2.00
49	11824703	FEED BAR SUPPORT				2.00
50	12119509	RUBBER				1.00

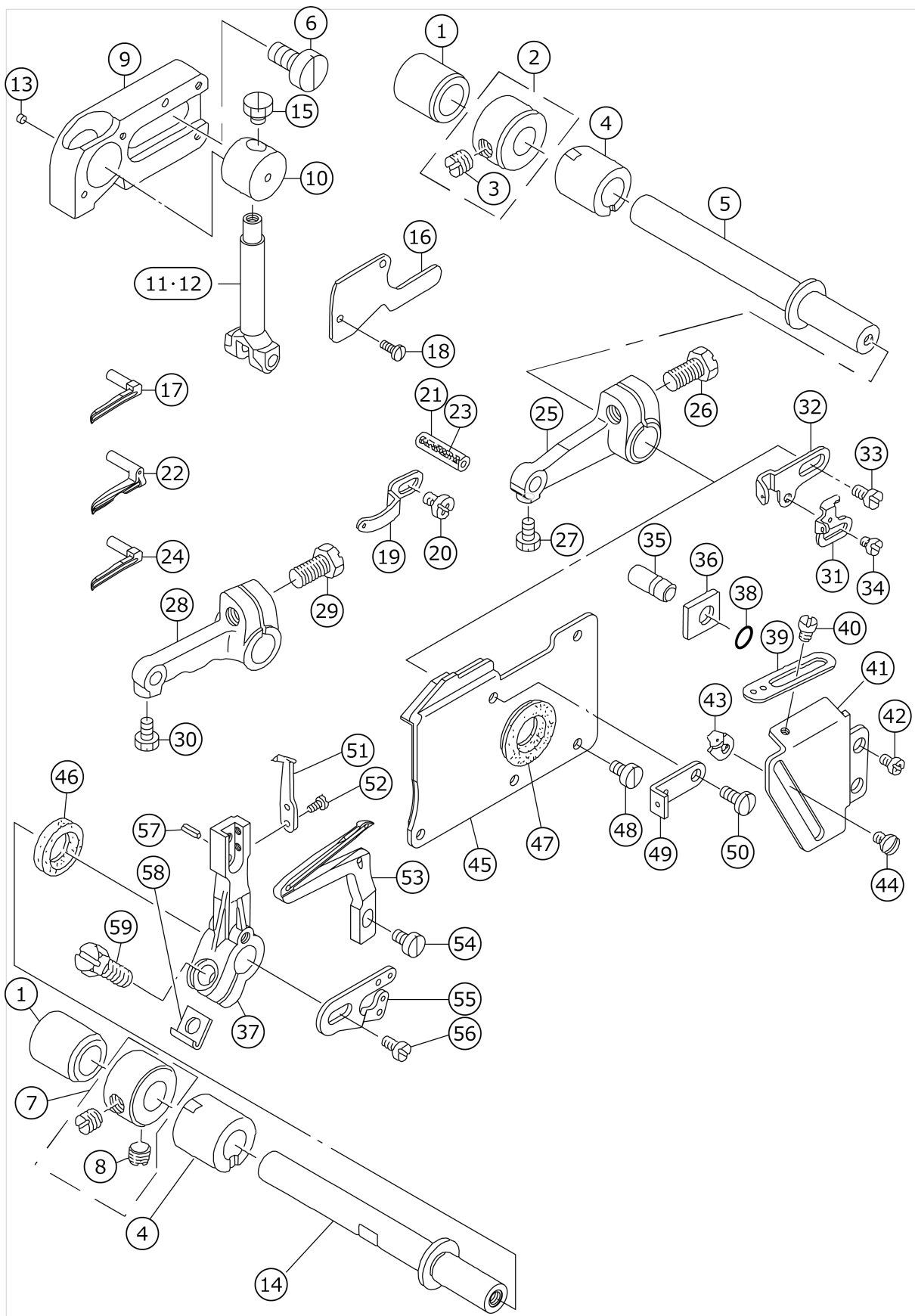
51	11827904	RUBBER				1.00
52	RO480120100	RUBBER RING				1.00
53	11828407	THROAT PLATE SUPPORT G	FOR MOG-3716			1.00
54	WP0371016SD	WASHER 3.7X8X1				2.00
55	WP0480856SP	WASHER 4.8X8.4X0.8				4.00
56	SM4041055SP	SCREW				4.00
57	SS6090620SP	SCREW 9/64-40 L=6				4.00
58	11828605	DIFFERENTIAL FEED ROCKER				1.00
59	SS6661110SP	SCREW 1/4-40 L=11				1.00
60	B1645704000A	BUSHING				1.00
61	RO060150100	RUBBER RING				1.00
62	11991502	SPRING				1.00
63	11825858	ROCKER SHAFT ASM.				1.00
64	SL4051231SC	SCREW M5 L=12				2.00
65	SS4090515SP	SCREW 9/64-40 L=5				2.00
66	11827102	DIFFERENTIAL FEED GRADUATION				1.00
67	SS4080610SP	SCREW 1/8-44 L=6.4				1.00
68	11828308	SUPPORT THROAT PLATE	FOR MOG-3704,MOG-3714			1.00

CHAIN LOOPER COMPONENTS (FOR MOG-3716)



No.	品番	品名	備考	子部品	消耗品	個数
1	B21038160A0	SLIDER ARM ASM.				1.00
2	B2103816000B	CHAIN LOOPER SHAFT SLIDE ARM		*		1.00
3	SS7110720TP	SCREW 11/64-40 L=7		*		1.00
4	11829751	CHAIN LOOPER SLIDE BLOCK PIN		*		1.00
5	B2105816000	CHAIN LOOPER SLIDE BLOCK		*		1.00
6	B2102816000A	CHAIN LOOPER ROD (22MM)				1.00
7	SD0720803TH	STEP-SCREW D=7.24 H=8				1.00
8	B2119816B00	BEARING B	SELECTING PART FOR FIT TOLER ANCE			1.00
9	12120465	BRACKET ASM.				1.00
10	SM6051202TP	SCREW M5X0.8 L=12		*		1.00
11	B2111716000	BUSHING, REAR				1.00
12	11829207	CHAIN LOOPER SHAFT				1.00
13	12374104	DRIVING ARM				1.00
14	SM6051202TP	SCREW M5X0.8 L=12		*		1.00
15	SM8050402TP	SCREW				1.00
16	12384400	CHAIN LOOPER				1.00
17	12258505	PIN, LONG	SELECTING PART FOR FIT TOLER ANCE			1.00
18	12374203	DRIVING LINK				1.00
19	SS9110430TP	SCREW 11/64-40 L=4				1.00
20	12259008	PIN, SHORT				1.00
21	12374013	LOWER LOOPER BALL ARM BRACKET				1.00
22	SM8050602TP	SCREW M5 L=6				1.00
23	SM8050402TP	SCREW				1.00
24	12122008	BUSHING, FRONT				1.00
25	B2525352000	OIL SEAL RING				1.00
26	11829363	CHAIN LOOPER DRIVING ARM ASM.				1.00
27	11829314	CHAIN LOOPER DRIVING ARM		*		1.00
28	PS0200062KH	SPRING PIN 2X6		*		1.00
29	B2531704000	WASHER		*		1.00
30	SS9151210TP	SCREW 15/64-28 L=11.8		*		1.00
31	SS6110710TP	SCREW 11/64-40 L= 6.5				2.00

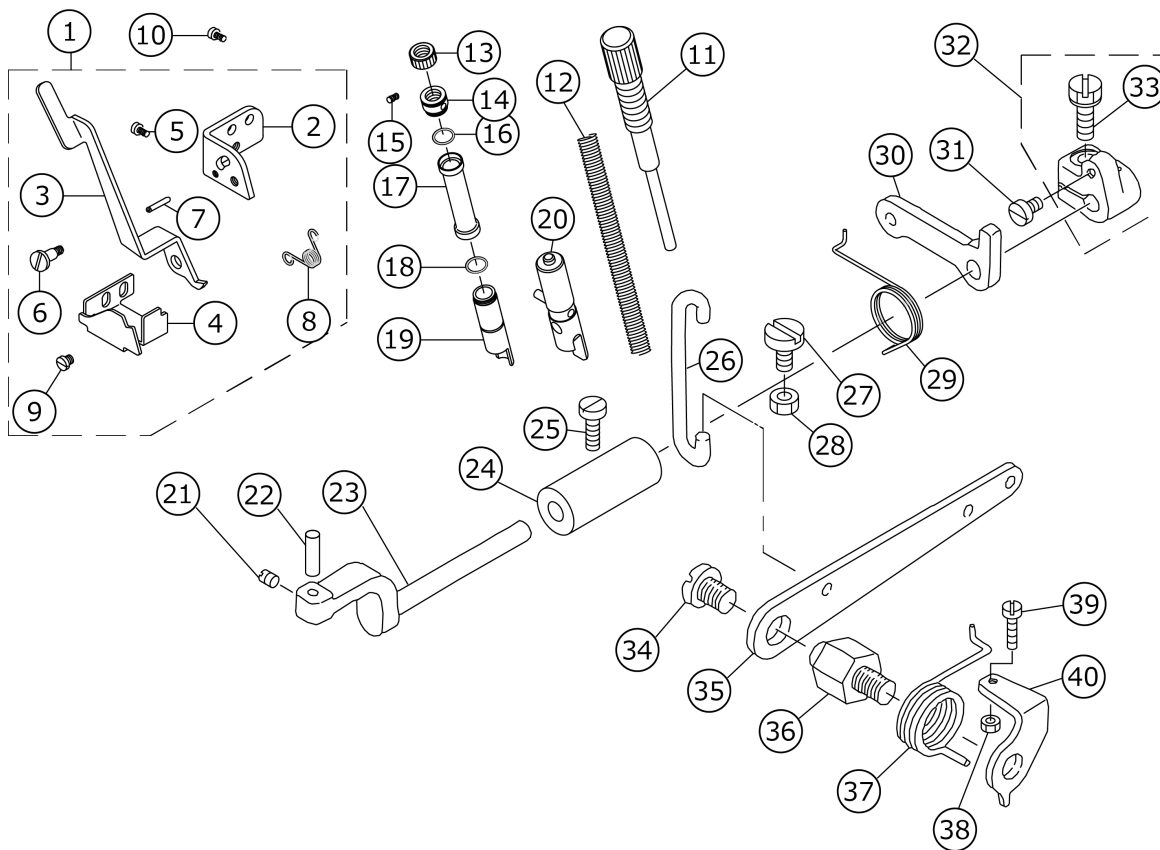
UPPER & LOWER LOOPER COMPONENTS



No.	品番	品名	備考	子部品	消耗品	個数
1	B2509704000	BUSHING, REAR				2.00
2	CS1031210SH	THRUST COLLAR ASM. D=10.32 W=1				2.00
3	SS8660610TP	SCREW 1/4-40 L=6		*		4.00
4	11834702	BUSHING,FRONT				2.00
5	12122404	UPPER LOOPER SHAFT				1.00
6	SM6061200SP	SCREW				2.00
7	CS1031210SH	THRUST COLLAR ASM. D=10.32 W=1	FOR MOG-3704,MOG-3714			1.00
8	SS8660610TP	SCREW 1/4-40 L=6		*		2.00
9	11544400	UPPER LOOPER GUIDE RETAINER				1.00
10	11544517	UPPER LOOPER GUIDE				1.00
11	11544301	UPPER LOOPER HOLDER	FOR MOG-3704			1.00
12	11582103	UPPER LOOPER HOLDER	FOR MOG-3714,MOG-3716			1.00
13	12004503	UPPER LOOPER GUIDE FELT				1.00
14	12123410	LOWER LOOPER SHAFT				1.00
15	SS9090410TP	SCREW				1.00
16	12004206	UPPER LOOPER GUIDE COVER				1.00
17	12383808	UPPER SPRING	FOR MOG-3704			1.00
18	SS7060610SP	SCREW 3/32-56 L= 5.5				2.00
19	11833308	UPPER LOOPER THREAD GUIDE				1.00
20	SS4090615SP	SCREW 9/64-40 L=6				1.00
21	B1422804A00	PIN (A)	SELECTING PART FOR FIT TOLER ANCE			1.00
22	12383600	UPPER LOOPER	FOR MOG-3714			1.00
23	CQ202000000	OIL WICK				0.10
24	12383501	UPPER LOOPER	FOR MOG-3716			1.00
25	12375507	UPPER LOOPER ARM	FOR MOG-3704			1.00
26	SS9151210TP	SCREW 15/64-28 L=11.8				1.00
27	SS9090610TP	SCREW 9/64-40 L=5.5				1.00
28	11582012	UPPER LOOPER ARM	FOR MOG-3714,MOG-3716			1.00
29	SS9151210TP	SCREW 15/64-28 L=11.8				1.00
30	SS9090610TP	SCREW 9/64-40 L=5.5				1.00
31	11833506	LOWER LOOPER THREAD TAKE-UP				1.00
32	12124004	THREAD TAKE-UP, RIGHT				1.00
33	SS7110840SP	SCREW 11/64-40 L=7.8				1.00
34	SS6080410SP	SCREW 1/8-44 L=4				1.00
35	11831906	PIN				1.00
36	11545100	GAUGE				1.00
37	12124806	LOWER LOOPER SUPPORT ARM.				1.00
38	RO037180100	RUBBER RING				1.00
39	12123907	THREAD GUIDE, RIGHT				1.00
40	SS3090610SP	SCREW 9/64-40 L=6				1.00
41	12123808	LOOPER THREAD TAKE-UP COVER				1.00
42	SM4040655SP	SCREW M4 L=6				2.00
43	11833407	LOWER LOOPER THREAD GUIDE				1.00
44	SS3090610SP	SCREW 9/64-40 L=6				1.00
45	12375952	OIL SHIELD ASM.				1.00

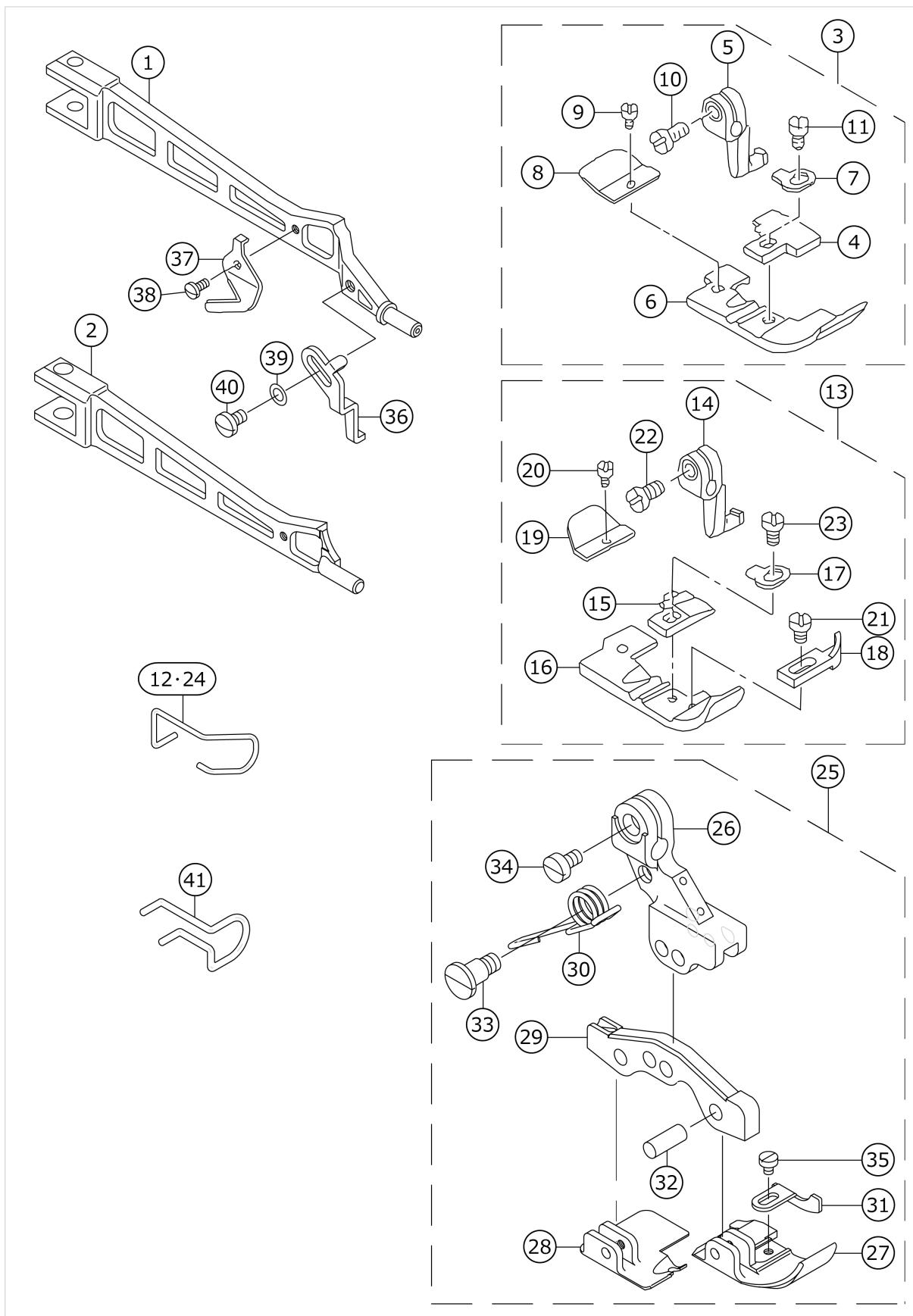
46	B2508704000	OIL SEAL				1.00
47	B2530704000	UPPER LOOPER SHAFT RUBBER RING				1.00
48	SS6090630SP	SCREW 9/64-40 L=6				4.00
49	11833100	LOOPER THREAD GUIDE				1.00
50	SS7090850SP	SCREW 9/64-40 L=8				1.00
51	11890001	TRAVELING NEEDLE GUARD				1.00
52	SS6060440TP	SCREW 3/32-56 L=3.5				2.00
53	12384202	LOWER LOOPER				1.00
54	SS6090620TP	SCREW				1.00
55	12375705	LOOPER THREAD TAKE-UP, LEFT				1.00
56	SS7110840SP	SCREW 11/64-40 L=7.8				1.00
57	PS0300062KH	SPRING PIN 3X6				1.00
58	B2531704000	WASHER				1.00
59	SS9151210TP	SCREW 15/64-28 L=11.8				1.00

PRESSER FOOT COMPONENTS (1)



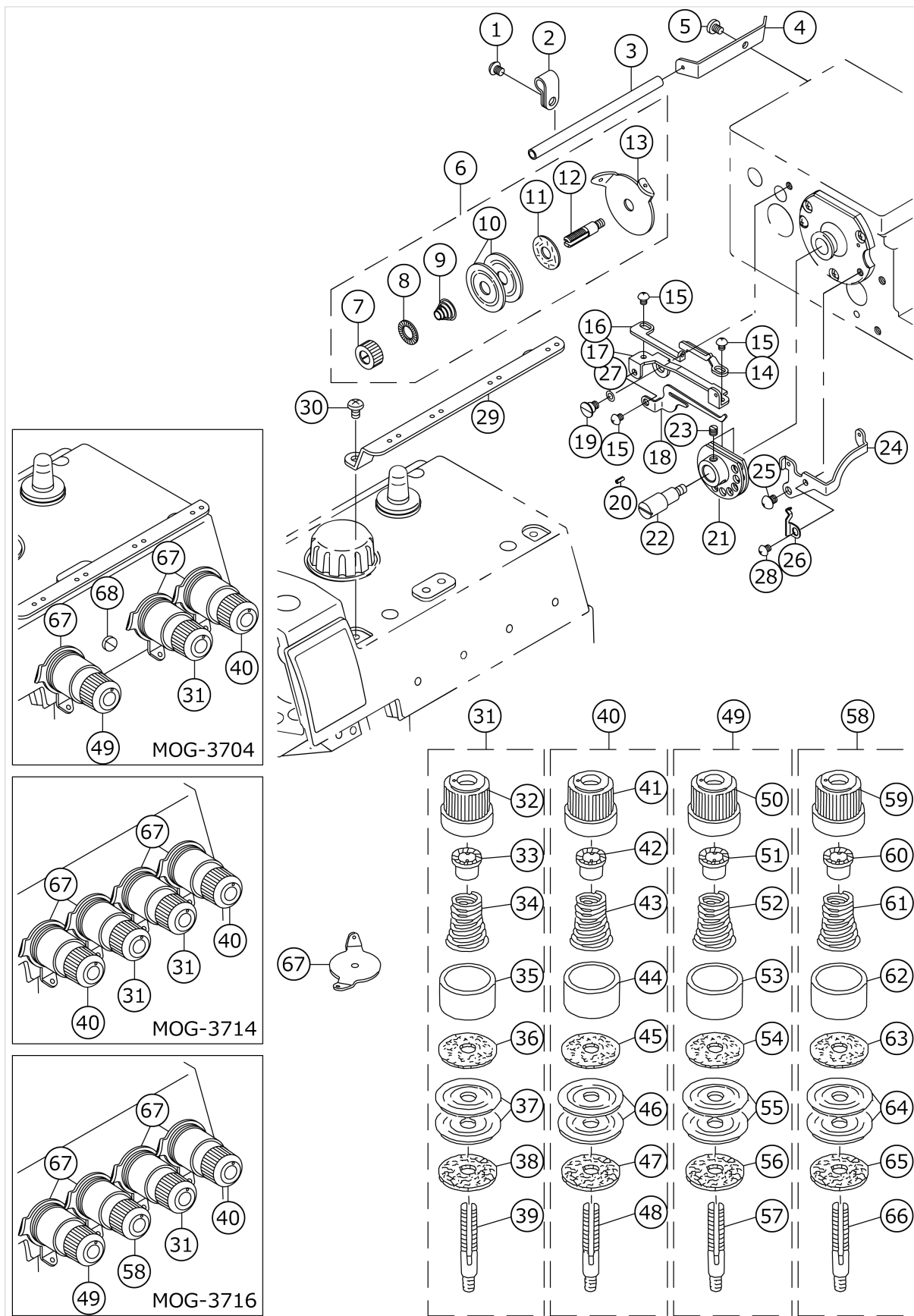
No.	品番	品名	備考	子部品	消耗品	個数
1	12115051	FOOT LIFTING LEVER STAND ASM.				1.00
2	12115002	FOOT LIFTING LEVER STAND		*		1.00
3	12115101	PRESSER FOOT LIFTING LEVER		*		1.00
4	12115200	STOPPER		*		1.00
5	SS7110510SP	SCREW 11/64-40 L=5		*		2.00
6	SD0640241SP	HINGE SCREW D= 6.35 H= 2.4		*		1.00
7	PS0300142KH	SPRING PIN 0.3 X 14		*		1.00
8	12115309	SPRING		*		1.00
9	SS6080340SP	SCREW 1/8-44 L=2.9		*		1.00
10	SS4110715SP	SCREW 11/64-40 L=7				2.00
11	12114716	PRESSER REGULATOR SCREW				1.00
12	12115903	PRESSER SPRING				1.00
13	12114807	PRESSER REGULATOR NUT				1.00
14	12288700	PRESSER REGULATOR SCREW WASHER				1.00
15	SM8040402TP	SCREW M4X0.7 L=4				1.00
16	RO110090100	RUBBER RING				1.00
17	12114906	PRESSER BAR COVER				1.00
18	RO110090100	RUBBER RING				2.00
19	12373007	PRESSER BAR METAL				1.00
20	12114468	PRESSER BAR ASM.				1.00
21	SS8110510SP	SCREW 11/64-40 L=5				1.00
22	B1534804000	PRESSER FOOT ARM HINGE SHAFT				1.00
23	12113205	PRESSER FOOT SHAFT				1.00
24	12113304	BUSHING				1.00
25	SS6121510SP	SCREW 3/16-28 L=15.0				1.00
26	11819414	LIFTING HOOK				1.00
27	SM6061200SP	SCREW				1.00
28	NM6060003SC	NUT M6				1.00
29	11819703	PRESSER FOOT ARM SPRING				1.00
30	12113502	LIFTING ARM				1.00
31	SS6110710TP	SCREW 11/64-40 L= 6.5				1.00
32	12113452	PRESSER FOOT SHAFT THRUST ASM.				1.00
33	SS9151210TP	SCREW 15/64-28 L=11.8		*		1.00
34	SS7161040SP	SCREW 1/4-24 L= 9.5				1.00
35	11819315	LIFTING LEVER				1.00
36	11819109	LIFTING LEVER SCREW				1.00
37	11819208	LIFTING LEVER SPRING				1.00
38	NS6110420SP	NUT 11/64-40				1.00
39	SS7111410SP	SCREW 11/64-40 L=14				1.00
40	B1529804000	PRESSER FOOT LIFTING LEVER STO				1.00

PRESSER FOOT COMPONENTS (2)



No.	品番	品名	備考	子部品	消耗品	個数
1	12114112	PRESSER FOOT ARM	FOR MOG-3704,MOG-3714			1.00
2	12253811	PRESSER FOOT ARM	FOR MOG-3716			1.00
3	12381059	PRESSER CONNECTION	FOR MOG-3704			0.00
4	11680600	STITCH TONGUE		*		1.00
5	11651304	PRESSER FOOT HINGE		*		1.00
6	11680501	PRESSER FOOT		*		1.00
7	B1508804000	SPRING		*		1.00
8	11680709	REAR PRESSER FOOT		*		1.00
9	SS6060340SP	SCREW 3/32-56 L= 2.5		*		1.00
10	SS6090650SP	SCREW 9/64-40 L=6		*		1.00
11	SS7080520SP	SCREW 1/8-44 L=4.9		*		1.00
12	11522802	FINGER GUARD	FOR MOG-3704			1.00
13	12381158	PRESSER FOOT COMPL.	FOR MOG-3714			1.00
14	11651304	PRESSER FOOT HINGE		*		1.00
15	11700101	STITCH TONGUE		*		1.00
16	12010807	PRESSER FOOT		*		1.00
17	B1508804000	SPRING		*		1.00
18	B1510814000	CURL GUARD		*		1.00
19	B1511814000	REAR PRESSER FOOT		*		1.00
20	SS6060210SP	SCREW 3/32-56 L= 1.9		*		1.00
21	SS6060440TP	SCREW 3/32-56 L=3.5		*		1.00
22	SS6090650SP	SCREW 9/64-40 L=6		*		1.00
23	SS7080520SP	SCREW 1/8-44 L=4.9		*		1.00
24	11522802	FINGER GUARD	FOR MOG-3714			1.00
25	12381257	PRESSER FOOT ASM.	FOR MOG-3716			1.00
26	12157319	PRESSER FOOT HINGE ARM		*		1.00
27	12381208	FRONT PRESSER (FOR 16)		*		1.00
28	12381307	REAR PRESSER (FOR 16)		*		1.00
29	12168407	PRESSER FOOT HINGE		*		1.00
30	12168506	PRESSER FOOT ARM SPRING		*		1.00
31	12381406	CLOTH PRESSER		*		1.00
32	11930708	PRESSER FOOT HINGE PIN		*		3.00
33	B1514816000	SCREW		*		1.00
34	SS6090650SP	SCREW 9/64-40 L=6		*		1.00
35	SS6060340SP	SCREW 3/32-56 L= 2.5		*		1.00
36	12160800	STOPPER	FOR MOG-3716			1.00
37	B1528804000A	THREAD TRIMMER				1.00
38	SS7060510SP	SCREW 3/32-56 L=4.8				1.00
39	WP0350516SD	WASHER 3.5X6X0.5				1.00
40	SS7080520SP	SCREW 1/8-44 L=4.9				1.00
41	12168803	FINGER GUARD	FOR MOG-3716			1.00

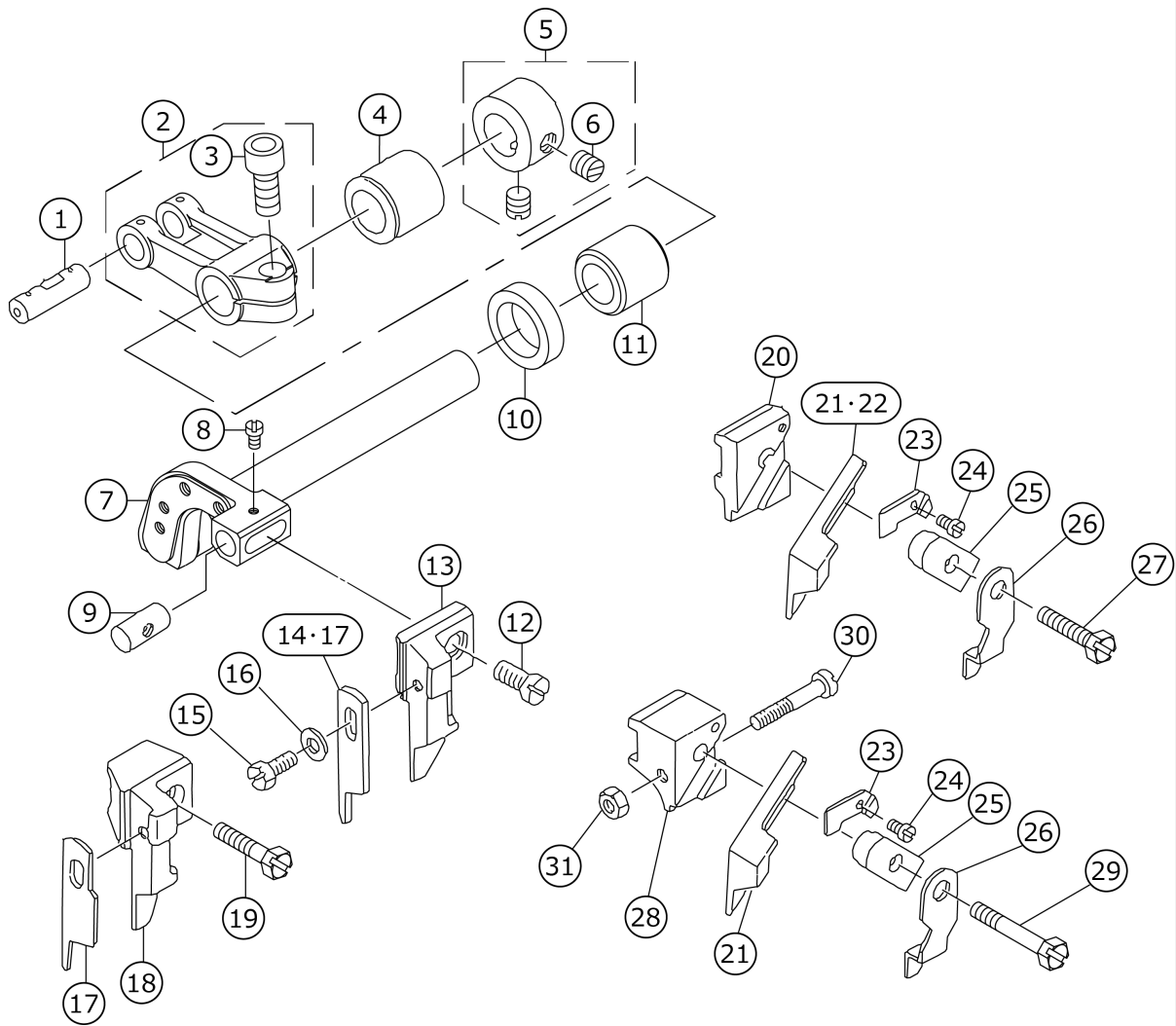
THREAD TENSION COMPONENTS



No.	品番	品名	備考	子部品	消耗品	個数
1	SM4050855SP	SCREW				1.00
2	B3113352000	MOUNTING BRACKET				1.00
3	B2401816000	LOOPER THREAD GUIDE TUBE				1.00
4	B2402716000	LOOPER THREAD GUIDE TUBE GUIDE				1.00
5	SS5150510SP	SCREW 15/64-28 L=5				1.00
6	11550852	TENSION CONTROLLER ASM.				1.00
7	B2314019000	TENSION POST NUT		*		1.00
8	B3120125000	ROTATING STOPPER		*		1.00
9	B2017372000	TENSION SPRING NO.1		*		1.00
10	B3126012000	THREAD TENSION DISK		*		2.00
11	B3120352000	THREAD TENSION SPRING FELT		*		1.00
12	11550803	THREAD TENSION POST		*		1.00
13	11550308	THREAD GUIDE		*		1.00
14	12120903	THREAD GUIDE A				1.00
15	SS4090415SP	SCREW 9/64-40 L=4				3.00
16	12121000	THREAD GUIDE B				1.00
17	12120804	THREAD GUIDE BASE				1.00
18	12121109	THREAD GUIDE HOOK				1.00
19	SD0600341TP	HINGE SCREW D=6.0 H=3.4				1.00
20	PS0200052KH	SPRING PIN 2.3X5				1.00
21	12347555	LOWER THREAD CAM COMPL.				1.00
22	B2202816000	SHAFT				1.00
23	SS8110410TP	SCREW 11/64-40 L= 3.5				2.00
24	12121208	THREAD GUIDE				1.00
25	SS4110515SP	SCREW 11/64-40 L=5				1.00
26	12121307	THREAD GUIDE SPRING				1.00
27	WZ0640312K0	WAVED WASHER				1.00
28	SS4090415SP	SCREW 9/64-40 L=4				1.00
29	12254405	CENTER THREAD GUIDE				1.00
30	SS4110715SP	SCREW 11/64-40 L=7				2.00
31	12254850	THREAD TENSION SPRING COMPL.				1.00
32	11956901	THREAD TENSION KNOB, YELLOW		*		1.00
33	B3112704000	TENSION SPRING BUSHING		*		1.00
34	B3102804000	TENSION SPRING, YELLOW		*		1.00
35	11957305	TENSION DISC PRESSER		*		1.00
36	B3120704000	THREAD TENSION SPRING FELT		*		1.00
37	12254504	THREAD TENSION DISK		*		2.00
38	12254603	THREAD TENSION RUBBER		*		1.00
39	B3105804000	TENSION POST		*		1.00
40	12254751	THREAD TENSION SPRING JUNCTION				1.00
41	11956703	THREAD TENSION KNOB, RED		*		1.00
42	B3112704000	TENSION SPRING BUSHING		*		1.00
43	B3101804000	TENSION SPRING, RED		*		1.00
44	11957305	TENSION DISC PRESSER		*		1.00
45	B3120704000	THREAD TENSION SPRING FELT		*		1.00
46	12254504	THREAD TENSION DISK		*		2.00
47	12254603	THREAD TENSION RUBBER		*		1.00
48	B3105804000	TENSION POST		*		1.00
49	12376554	THREAD TENSION SPRING				1.00
50	11957107	THREAD TENSION KNOB, PURPLE		*		1.00

51	B3112704000	TENSION SPRING BUSHING		*		1.00
52	11550100	TENSION SPRING, PURPLE		*		1.00
53	11957305	TENSION DISC PRESSER		*		1.00
54	B3120704000	THREAD TENSION SPRING FELT		*		1.00
55	12254504	THREAD TENSION DISK		*		2.00
56	12254603	THREAD TENSION RUBBER		*		1.00
57	B3105804000	TENSION POST		*		1.00
58	12255451	THREAD TENSION SPRING ASM.				1.00
59	11957206	THREAD TENSION KNOB, GREEN		*		1.00
60	B3112704000	TENSION SPRING BUSHING		*		1.00
61	11550209	TENSION SPRING, GREEN		*		1.00
62	11957305	TENSION DISC PRESSER		*		1.00
63	B3120704000	THREAD TENSION SPRING FELT		*		1.00
64	12254504	THREAD TENSION DISK		*		2.00
65	12254603	THREAD TENSION RUBBER		*		1.00
66	B3105804000	TENSION POST		*		1.00
67	B3108704000	THREAD GUIDE				1.00
68	SS7110710SL	SCREW 11/64-40 L=7.0				1.00

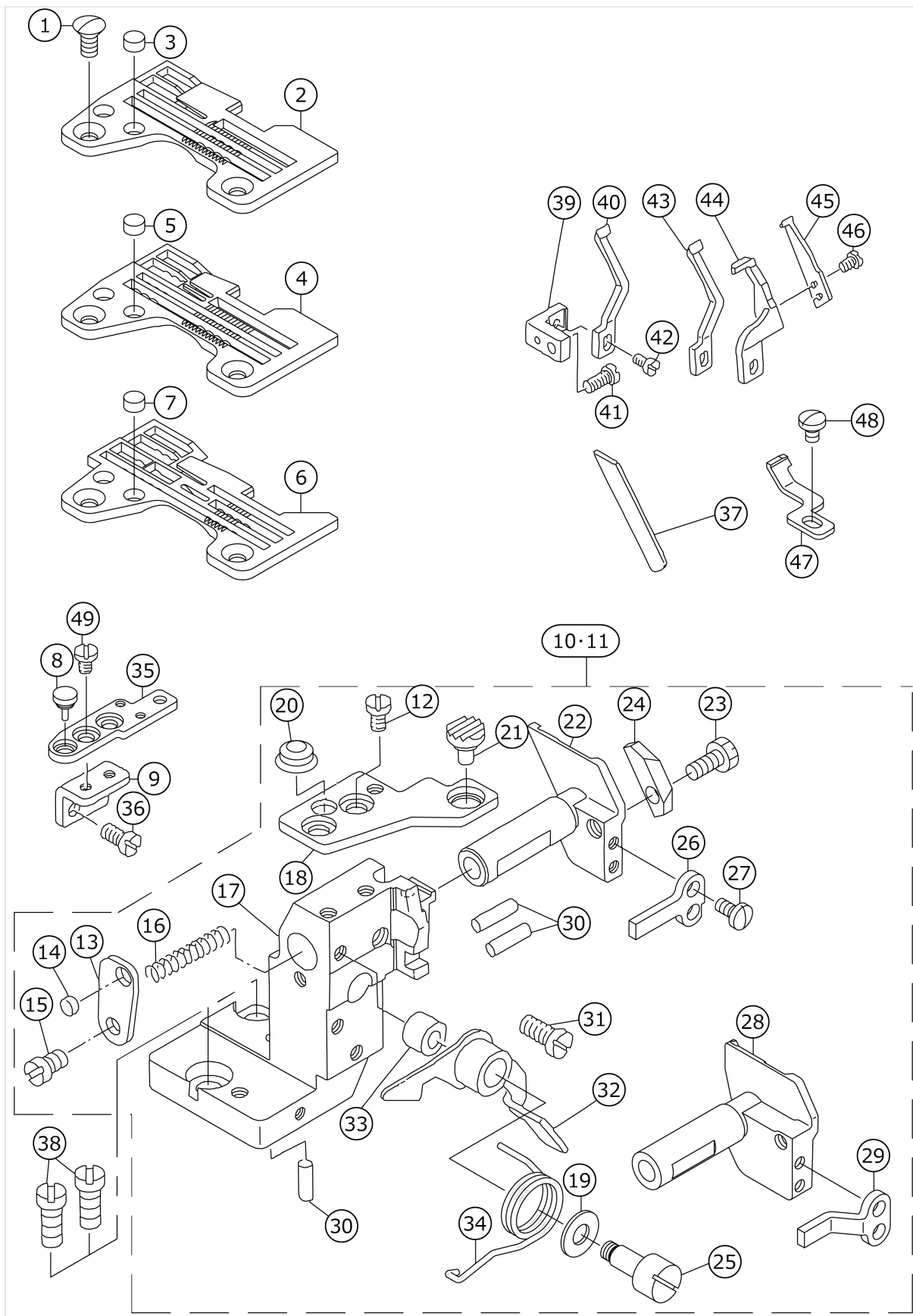
UPPER KNIFE COMPONENTS



No.	品番	品名	備考	子部品	消耗品	個数
1	11823804	CRANK PIN C	SELECTING PART FOR FIT TOLER ANCE			1.00
2	12132262	FEED FORKED ARM ASM.				1.00
3	SM6061402TP	SCREW M6 L=14		*		1.00
4	12132502	BUSHING, REAR				1.00
5	CS111101ESH	COLLAR ASM. D=11.11 W=10				1.00
6	SS8660330SP	SCREW 1/4-40 L= 3.0		*		2.00
7	12132304	KNIFE DRIVING ARM SHAFT				1.00
8	SS4060310SP	SCREW 3/32-56 L=2.5	FOR EXPORT			1.00
9	11565801	UPPER KNIFE GUIDE SHAFT				1.00
10	11566809	OIL SEAL				1.00
11	12132403	BUSHING, FRONT				1.00
12	SS6111040SP	SCREW 11/64-40 L= 9.5	FOR MOG-3704,M OG-3714(FOR JA PAN)			1.00
13	12133302	UPPER KNIFE SUPPORT A	FOR MOG-3704,M OG-3714(FOR JA PAN)			1.00
14	11845609	KNIFE	FOR MOG-3714(FOR JAPAN)			1.00
15	SS9090813TP	SCREW 9/64-40 L=8	FOR JAPAN			1.00
16	WP0370316SD	WASHER 3.7X8X0.3	FOR JAPAN			1.00
17	12004909	KNIFE	FOR MOG-3704,M OG-3716(FOR JA PAN)			1.00
18	12004800	UPPER KNIFE SUPPORT	FOR MOG-3716(FOR JAPAN)			1.00
19	SS6111610SP	SCREW 11/64-40 L=16	FOR MOG-3716(FOR JAPAN)			1.00
20	11598000	UPPER KNIFE SUPPORT	FOR MOG-3704,M OG-3714(FOR EX PORT)			1.00
21	11565900	UPPER KNIFE	FOR MOG-3704,M OG-3716(FOR EX PORT)			1.00
22	B411180400E	UPPER KNIFE	FOR MOG-3714(FOR EXPORT)			1.00
23	11565702	WASHER	FOR EXPORT			1.00
24	SS4060310SP	SCREW 3/32-56 L=2.5	FOR EXPORT			1.00
25	11565504	UPPER KNIFE PRESSER PLATE	FOR EXPORT			1.00
26	11565603	UPPER KNIFE COVER	FOR MOG-3704,M OG-3716(FOR EX PORT)			1.00
27	SS9111610SP	SCREW 11/64-40 L=16	FOR MOG-3704,M OG-3714(FOR EX PORT)			1.00
28	11565405	UPPER KNIFE SUPPORT	FOR MOG-3716(FOR EXPORT)			1.00
29	SS9112420TP	SCREW 11/64-40 L=24	FOR MOG-3716(FOR EXPORT)			1.00

30	SS7092110TP	SCREW 9/64-40 L=21	FOR MOG-3716(FOR EXPORT)			1.00
31	NS6090310SP	NUT 9/64-40	FOR MOG-3716(FOR EXPORT)			1.00

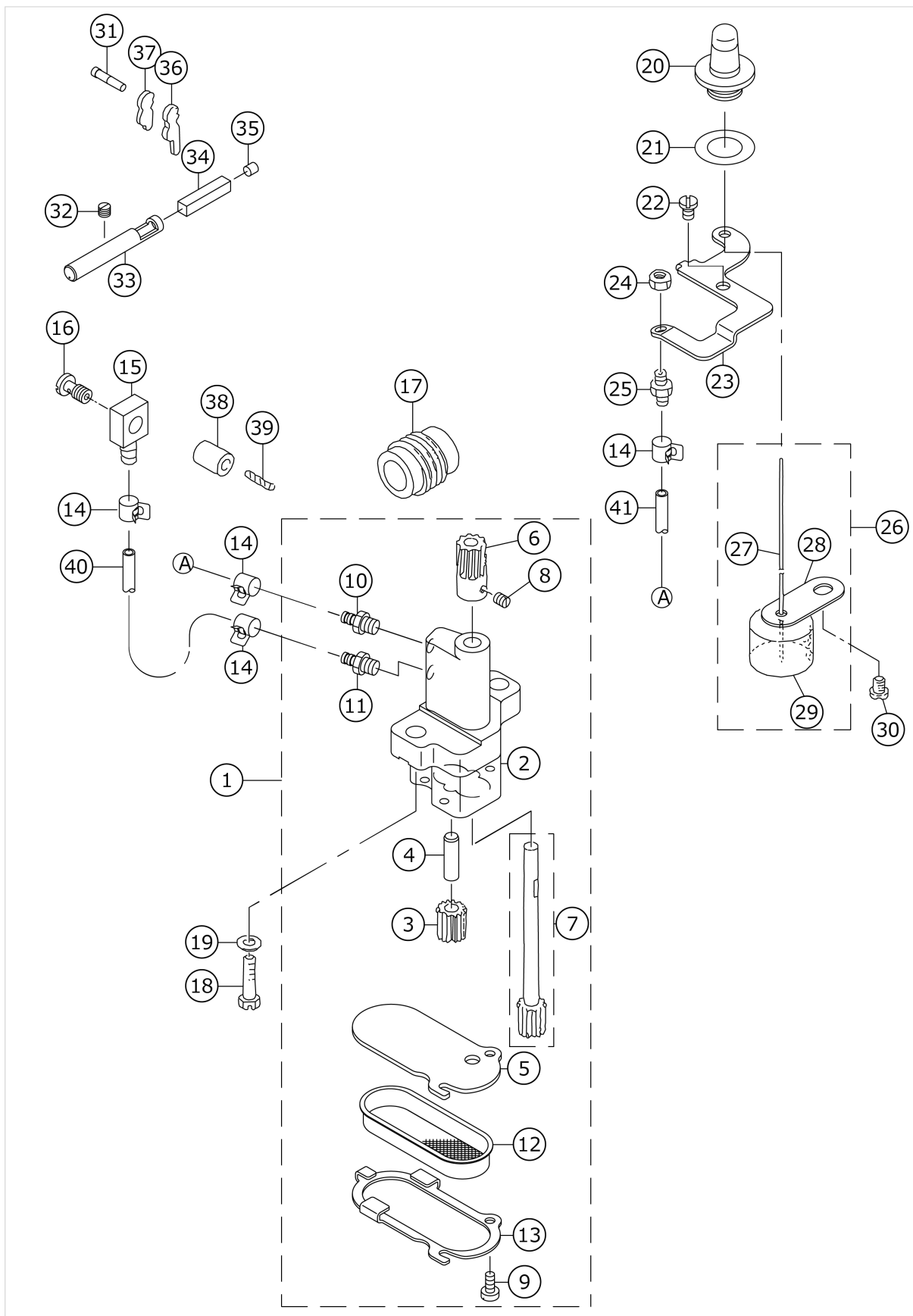
LOWER KNIFE COMPONENTS



No.	品番	品名	備考	子部品	消耗品	個数
1	SS2110910SL	SCREW 11/64-40 L=9				2.00
2	R4300J0ML00	THROAT PLATE	FOR MOG-3704			1.00
3	11806304	PLUG				2.00
4	R4306J0HJ00	THROAT PLATE	FOR MOG-3714			1.00
5	11806304	PLUG				2.00
6	R4612J0HL00	THROAT PLATE (FH6-700)	FOR MOG-3716			1.00
7	11806304	PLUG				2.00
8	11804606	RUBBER PLUG				1.00
9	12378303	THROAT PLATE BASE B RETAINER				1.00
10	12377552	LOWER KNIFE BRACKET ASM.	FOR MOG-3704,MOG-3714			1.00
11	12377586	LOWER KNIFE BRACKET ASM.	FOR MOG-3716			1.00
12	SS6110610TP	SCREW 11/64-40 L=6		*		2.00
13	12133211	SPRING STOPPER		*		1.00
14	11806304	PLUG		*		1.00
15	SS7110720SP	SCREW 11/64-40 L=7		*		1.00
16	11846607	SPRING		*		1.00
17	12132619	LOWER KNIFE BRACKET		*		1.00
18	12378105	THROAT PLATE BASE A		*		1.00
19	WP0621036SP	WASHER		*		1.00
20	12103701	RUBBER PLUG B		*		1.00
21	12103602	RUBBER PLUG A		*		1.00
22	12132700	LOWER KNIFE SLIDE STUD	FOR MOG-3704,MOG-3714	*		1.00
23	SS9111010SP	SCREW 11/64-40 L=9.5		*		1.00
24	12377602	LOWER KNIFE PRESSER		*		1.00
25	12378204	LEVER SHAFT		*		1.00
26	12377701	ROTATING STOPPER	FOR MOG-3704,MOG-3714	*		1.00
27	SS7090710SP	SCREW 9/64-40 L= 6.8		*		2.00
28	12377800	LOWER KNIFE SLIDE SHAFT	FOR MOG-3716	*		1.00
29	12377909	ROTATING STOPPER	FOR MOG-3716	*		1.00
30	12133708	HOLDER PIN		*		3.00
31	SS7151120SP	SCREW 15/64-28 L=11		*		1.00
32	12102950	LEVER ASM.		*		1.00
33	12103107	RUBBER PLUG		*		1.00
34	12378006	SPRING		*		1.00
35	11848603	THROAT PLATE BASE C				1.00
36	SM4051055SP	SCREW				2.00
37	11566502	LOWER KNIFE				1.00
38	SS6151440SP	SCREW 15/64-28 L=14				2.00
39	11847100	NEEDLE GUARD HOLDER				1.00
40	11890100	NEEDLE GUARD	FOR MOG-3704			1.00
41	SS7110840SP	SCREW 11/64-40 L=7.8				1.00
42	SS7090610SP	SCREW 9/64-40 L=6				1.00
43	11890308	NEEDLE GUARD	FOR MOG-3714			1.00
44	12015301	NEEDLE HOLDER	FOR MOG-3716			1.00
45	12015400	NEEDLE HOLDER	FOR MOG-3716			1.00
46	SS7060510SP	SCREW 3/32-56 L=4.8	FOR MOG-3716			2.00
47	12384509	NEEDLE HOLDER	FOR MOG-3716			1.00

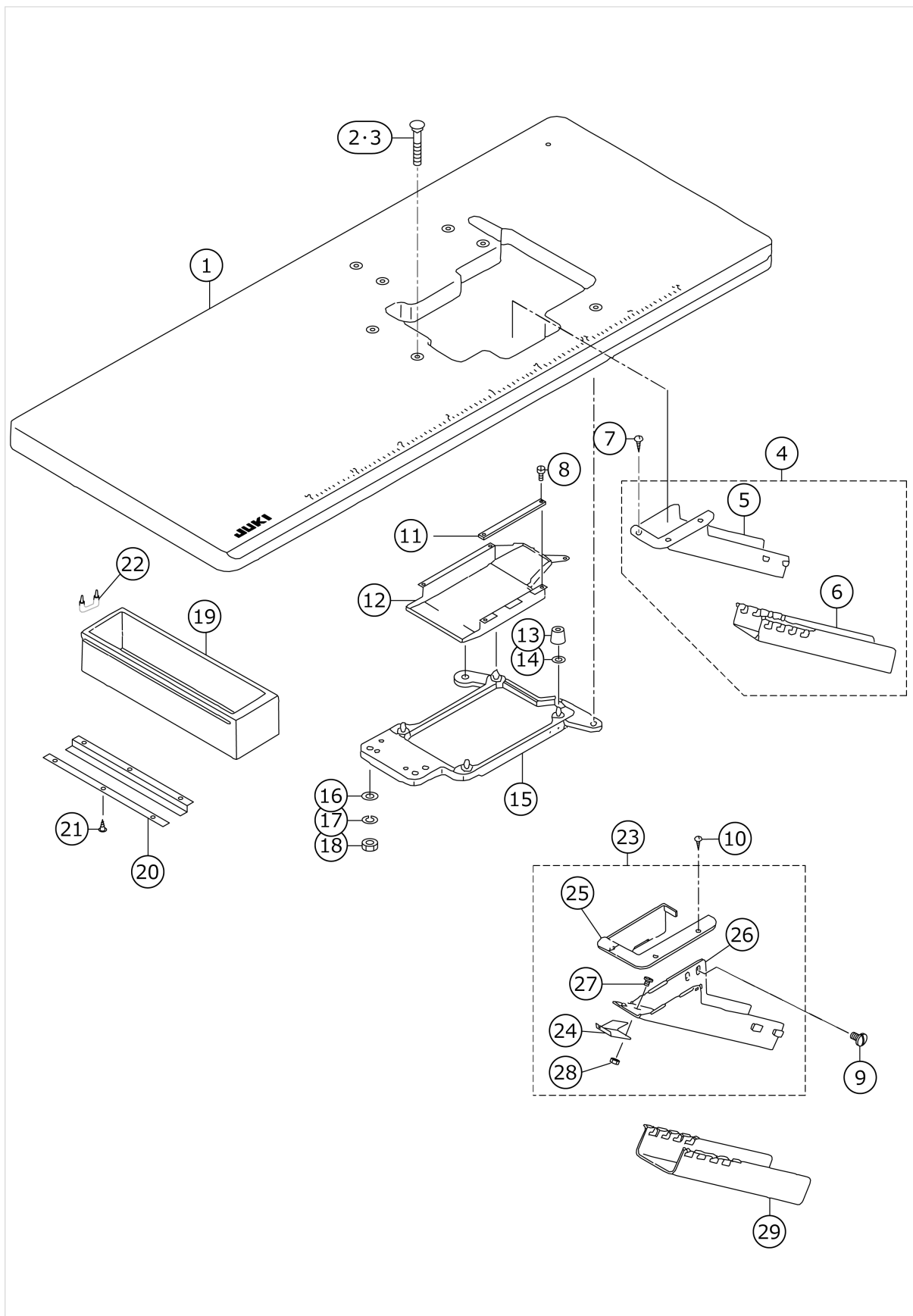
48	SS7090510SP	SCREW 9/64-40 L= 4.6	FOR MOG-3716			1.00
49	SS6110610TP	SCREW 11/64-40 L=6				2.00

LUBRICATION MECHANISM COMPONENTS



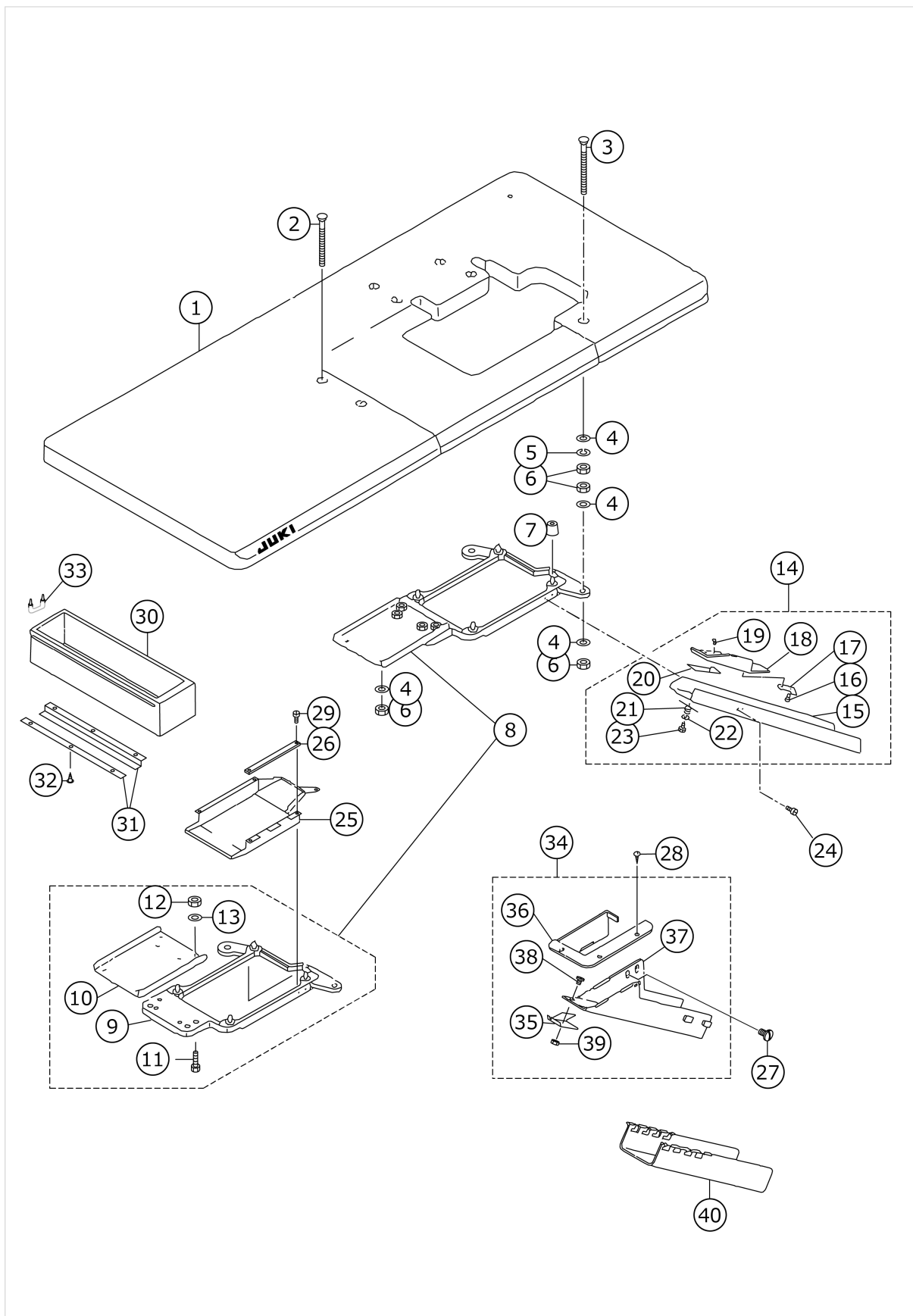
No.	品番	品名	備考	子部品	消耗品	個数
1	12255550	OIL PUMP ASM.				1.00
2	12255501	OIL PUMP		*		1.00
3	11840303	OIL PUMP PINION		*		1.00
4	11840402	GEAR PUMP SHAFT		*		1.00
5	12255600	COVER		*		1.00
6	12256103	WORM GEAR		*		1.00
7	11841855	OIL PUMP SHAFT LARGE ASM.		*		1.00
8	SS8110410TP	SCREW 11/64-40 L= 3.5		*		2.00
9	SS6090810SP	SCREW 9/64-40 L= 7.5		*		2.00
10	SQ1150453MZ	CONNECTING SCREW		*		1.00
11	SQ1150451MZ	CONNECTING SCREW		*		1.00
12	12255709	PUMP NET		*		1.00
13	12255808	PUMP NET SUPPORT		*		1.00
14	12256004	OIL TUBE HOLDER				4.00
15	SQ0000451MZ	CONNECTING SCREW				1.00
16	SQ1150441SD	CONNECTING SCREW				1.00
17	11840600	WORM				1.00
18	SM6061802TP	SCREW M6 L=18				2.00
19	WP0651056SH	WASHER 6.5X11X1				2.00
20	12130100	OIL GAUGE				1.00
21	12130209	RUBBER PACKING				1.00
22	SM4050855SP	SCREW				2.00
23	12255907	OILING EXIT SUPPORT				1.00
24	NS6110310SP	NUT 11/64-40				1.00
25	SQ1110451MZ	CONNECTING SCREW				1.00
26	12129854	FLOAT ASM.				1.00
27	12129904	OIL GAUGE BAR		*		1.00
28	12130001	FLOAT SUPPORT		*		1.00
29	12129805	FLOAT		*		1.00
30	SM4060801SE	SCREW				1.00
31	11404704	OIL WICK				0.10
32	SM8050402TP	SCREW				1.00
33	12130308	OILING PIN				1.00
34	12130407	OIL FELT				1.00
35	TA0400301M0	PLUG D=4X4.5 L=3				1.00
36	11841608	UPPER LOOPER GUIDE OIL FELT	FOR MOG-3714,MOG-3716			1.00
37	12004404	UPPER LOOPER GUIDE OIL FELT	FOR MOG-3704			1.00
38	11834603	OIL SUPPLY BUSH				1.00
39	12252706	OIL SUPPLY FELT				0.10
40	BP300000200	VINYL PIPE				0.20
41	BP300000200	VINYL PIPE				0.30

SEMI-SUNKEN TYPE TABLE COMPONENTS



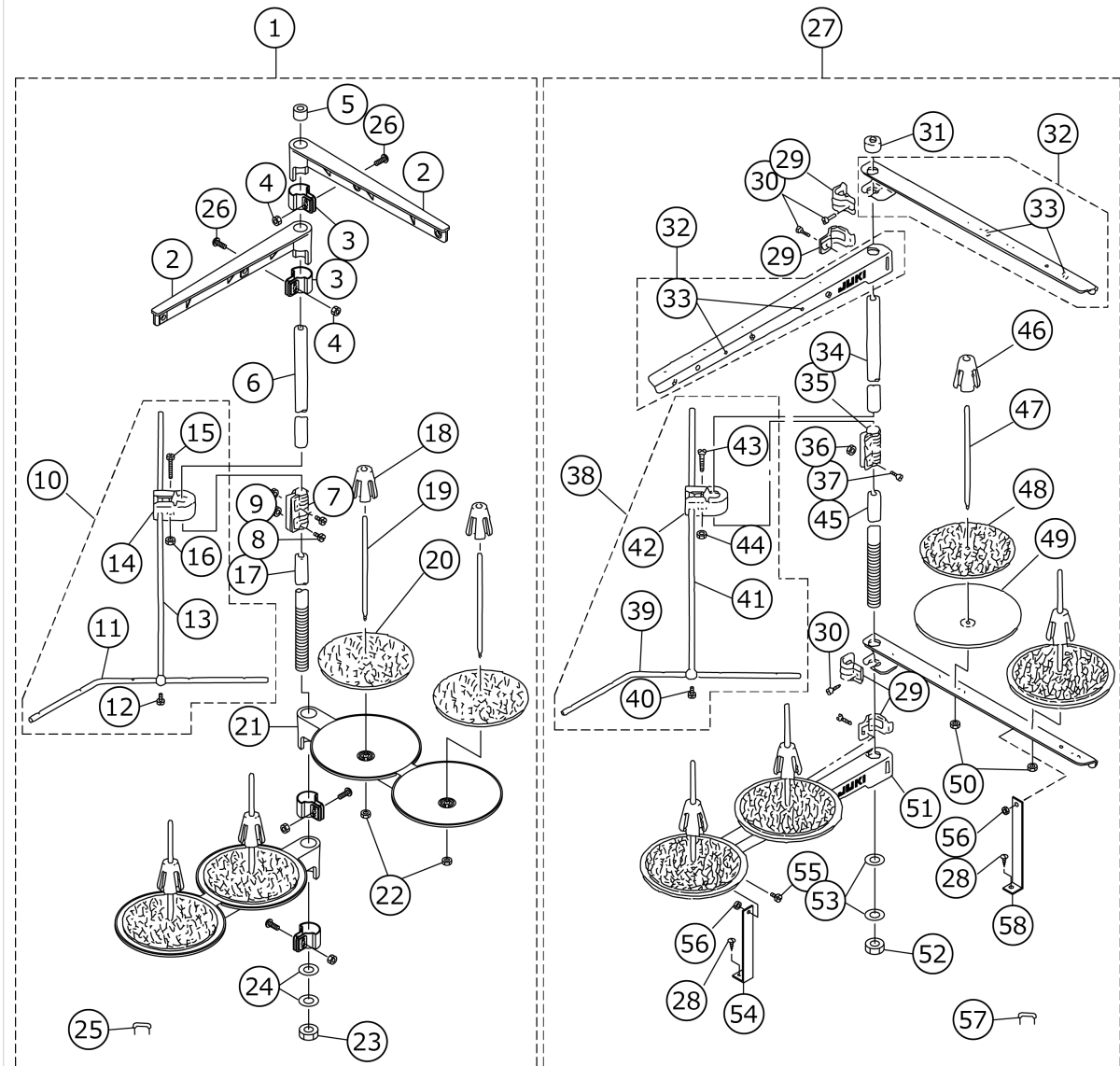
No.	品番	品名	備考	子部品	消耗品	個数
1	11959400	TABLE (SEMI-SUNKEN)				1.00
2	11966702	BOLT A				4.00
3	11571601	BOLT A				4.00
4	12341954	CLOTH WASTE CHUTE ASM.				1.00
5	12341905	CLOTH WASTE CHUTE(SEMI-SUNKEN)		*		1.00
6	12341806	CLOTH WASTE CHUTE		*		1.00
7	SK2351600SC	WOOD SCREW D=3.5 L=16				3.00
8	SS6090630SP	SCREW 9/64-40 L=6				5.00
9	SS5110710SP	SCREW 11/64-40 L=7				2.00
10	SK2351600SC	WOOD SCREW D=3.5 L=16				3.00
11	11850815	CASE SPONGE				1.00
12	11849411	COOLING FAN CASE				1.00
13	11571403	RUBBER CUSHION				4.00
14	11849601	SPACER				4.00
15	11849361	FRAME SUPPORT PLATE ASM.				1.00
16	WP1102016SC	WASHER 11X21X2				4.00
17	WS1002560KR	SPRING WASHER 10X18X2.5				4.00
18	NS6240630SN	NUT 3/8-18				4.00
19	11155108	DRAWER				1.00
20	11155207	DRAWER SUPPORT				2.00
21	SK3311500SC	WOOD SCREW D=3.1 L=15				6.00
22	D8204555D00	DRAWER STOPPER				1.00
23	12135554	CLOTH WASTE CHUTE ASM.				1.00
24	12135505	CLOTH WASTE CHUTE SUPPORT		*		1.00
25	11962800	CLOTH WASTE CHUTE INLET		*		1.00
26	11962909	CLOTH WASTE CHUTE, UPPER		*		1.00
27	SS5090610SP	SCREW 9/64-40 L=6		*		3.00
28	NS6090310SP	NUT 9/64-40		*		3.00
29	11960002	CLOTH WASTE CHUTE,LOWER(BENCH)				1.00

FULLY-SUNKEN TYPE TABLE COMPONENTS



No.	品番	品名	備考	子部品	消耗品	個数
1	11959558	TABLE ASM.				1.00
2	11571809	BOLT C				2.00
3	11571908	BOLT D				2.00
4	WP1102016SC	WASHER 11X21X2				12.00
5	WS1002560KR	SPRING WASHER 10X18X2.5				4.00
6	NS6240630SN	NUT 3/8-18				12.00
7	11571403	RUBBER CUSHION				4.00
8	11849379	FRAME SUPPORT PLATE ASM.				1.00
9	11849361	FRAME SUPPORT PLATE ASM.		*		1.00
10	11850906	FRAME SUPPORT AUXILIARY PLATE		*		1.00
11	SM9082513CF	SCREW M8 L=25		*		4.00
12	NM6080600SM	NUT M8		*		4.00
13	WP0850002SC	WASHER 8.5X18X1.6		*		4.00
14	11960259	CLOTH CHUTE ASM.				1.00
15	11960200	CLOTH WASTE CHUTE		*		1.00
16	ST60308210A	SCREW D=3-24 L=8		*		2.00
17	11850401	CLOTH WASTE CHUTE INLET LEVER		*		1.00
18	11960309	CLOTH WASTE CHUTE HOLE		*		1.00
19	SS6090420SP	SCREW 9/64-40 L= 4.0		*		2.00
20	11850609	RUBBER		*		1.00
21	11850500	SPRING		*		1.00
22	WP0370316SD	WASHER 3.7X8X0.3		*		1.00
23	ST60308210A	SCREW D=3-24 L=8		*		1.00
24	SS5110710SP	SCREW 11/64-40 L=7				2.00
25	11849411	COOLING FAN CASE				1.00
26	11850815	CASE SPONGE				1.00
27	SS5110710SP	SCREW 11/64-40 L=7	FOR JE			2.00
28	SK2351600SC	WOOD SCREW D=3.5 L=16	FOR JE			3.00
29	SS6090630SP	SCREW 9/64-40 L=6				5.00
30	11155108	DRAWER				1.00
31	11155207	DRAWER SUPPORT				2.00
32	SK3311500SC	WOOD SCREW D=3.1 L=15				6.00
33	D8204555D00	DRAWER STOPPER				1.00
34	12135554	CLOTH WASTE CHUTE ASM.	FOR JE			1.00
35	12135505	CLOTH WASTE CHUTE SUPPORT		*		1.00
36	11962800	CLOTH WASTE CHUTE INLET		*		1.00
37	11962909	CLOTH WASTE CHUTE, UPPER		*		1.00
38	SS5090610SP	SCREW 9/64-40 L=6		*		3.00
39	NS6090310SP	NUT 9/64-40		*		3.00
40	11960002	CLOTH WASTE CHUTE,LOWER(BENCH)	FOR JE			1.00

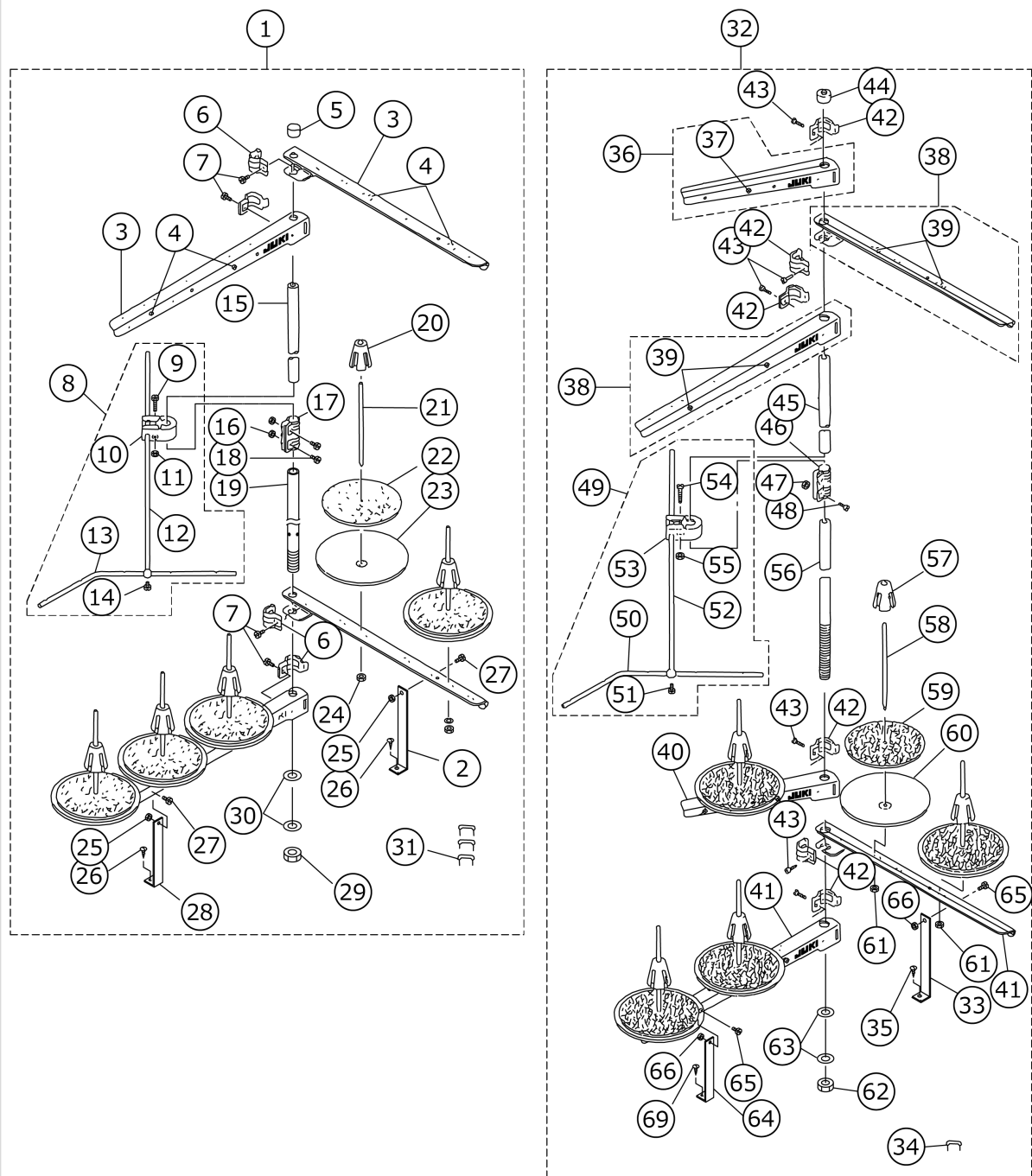
THREAD STAND COMPONENTS (FOR MOG-3704,MOG-3714)



No.	品番	品名	備考	子部品	消耗品	個数
1	11969458	THREAD STANDING DEVICE ASM.				1.00
2	11185352	THREAD GUIDE ASM.		*		2.00
3	11185402	THREAD GUIDE ARM JOINT		*		4.00
4	NM6050001SE	NUT M5		*		4.00
5	B3311704000	SPOOL REST ROD CAP		*		1.00
6	11185204	SPOOL REST ROD,UPPER		*		1.00
7	B3305704000A	SPOOL REST ROD JOINT		*		1.00
8	SM4051405SE	SCREW M5 L=14		*		2.00
9	NM6050001SE	NUT M5		*		2.00
10	B33097040A0	THREAD GUIDE ARM ASM.		*		1.00
11	B3311804000	LOWER THREAD GUIDE		*		1.00
12	SS7110540SP	SCREW 11/64-40 L=5		*		1.00
13	B3309704000	THREAD GUIDE ARM		*		1.00
14	B3304704000A	THREAD GUIDE ARM HOLDER		*		1.00
15	SM6053000SE	SCREW M5X0.8 L=30		*		1.00
16	NM6050001SE	NUT M5		*		1.00
17	11185105	SPOOL REST ROD,LOWER		*		1.00
18	11185501	SPOOL RETAINER		*		4.00
19	B3320704L00A	SPOOL PIN		*		4.00
20	B3311012000	SPOOL REST CUSHION		*		4.00
21	11185006	SPOOL REST ARM		*		2.00
22	NM6050001SE	NUT M5		*		4.00
23	B3317704000	NUT		*		1.00
24	WP1612616SE	WASHER 16X30X2.6		*		2.00
25	MAO11532000	CORD STAPLE		*		3.00
26	SM4051405SE	SCREW M5 L=14		*		4.00
27	11969953	THREAD STANDING DEVICE ASM.	SPECIAL ORDER PART FOR LARGE SPOOL THREAD STAND (FOR JE)			1.00
28	SK3382001SE	SCREW D=3.8 L=20		*		2.00
29	B3318704L00A	THREAD GUIDE ARM JOINT		*		4.00
30	SM6061610SC	SCREW M6 L=16		*		4.00
31	B3311704000	SPOOL REST ROD CAP		*		1.00
32	11969573	SPOOL REST ARM A ASM.		*		2.00
33	B3319704L00	THREAD GUIDE		*		4.00
34	11185204	SPOOL REST ROD,UPPER		*		1.00
35	B3305704000A	SPOOL REST ROD JOINT		*		1.00
36	NM6050001SE	NUT M5		*		2.00
37	SM4051405SE	SCREW M5 L=14		*		2.00
38	B33097040A0	THREAD GUIDE ARM ASM.		*		2.00
39	B3311804000	LOWER THREAD GUIDE		*		1.00
40	SS7110540SP	SCREW 11/64-40 L=5		*		1.00
41	B3309704000	THREAD GUIDE ARM		*		1.00
42	B3304704000A	THREAD GUIDE ARM HOLDER		*		1.00
43	SM6053000SE	SCREW M5X0.8 L=30		*		1.00
44	NM6050001SE	NUT M5		*		2.00
45	11185105	SPOOL REST ROD,LOWER		*		1.00
46	11185501	SPOOL RETAINER		*		4.00
47	B3320704L00A	SPOOL PIN		*		4.00

48	B3311012000	SPOOL REST CUSHION		*		4.00
49	11966504	SPOOL REST		*		4.00
50	NM6050001SE	NUT M5		*		4.00
51	11969508	SPOOL REST ARM A		*		2.00
52	B3317704000	NUT		*		1.00
53	WP1612616SE	WASHER 16X30X2.6		*		2.00
54	B3321704L00	SPOOL REST ARM SUPPORT, A		*		1.00
55	SM4061201SE	SCREW M6 L=12		*		2.00
56	NM6060001SE	NUT M6		*		2.00
57	MAO11532000	CORD STAPLE		*		3.00
58	B3321704L0B	SPOOL REST ARM SUPPORT, B		*		1.00

THREAD STAND COMPONENTS (FOR MOG-3716)



No.	品番	品名	備考	子部品	消耗品	個数
1	12027850	THREAD STAND ASM.				1.00
2	B3321704L0B	SPOOL REST ARM SUPPORT, B		*		1.00
3	11969508	SPOOL REST ARM A		*		4.00
4	B3319704L00	THREAD GUIDE		*		5.00
5	B3311704000	SPOOL REST ROD CAP		*		1.00
6	B3318704L00A	THREAD GUIDE ARM JOINT		*		4.00
7	SM6061610SC	SCREW M6 L=16		*		4.00
8	B33097040A0	THREAD GUIDE ARM ASM.		*		1.00
9	SM6053000SE	SCREW M5X0.8 L=30		*		1.00
10	B3304704000A	THREAD GUIDE ARM HOLDER		*		1.00
11	NM6050001SE	NUT M5		*		1.00
12	B3309704000	THREAD GUIDE ARM		*		1.00
13	B3311804000	LOWER THREAD GUIDE		*		1.00
14	SS7110540SP	SCREW 11/64-40 L=5		*		1.00
15	11185204	SPOOL REST ROD,UPPER		*		1.00
16	NM6050001SE	NUT M5		*		2.00
17	B3305704000A	SPOOL REST ROD JOINT		*		1.00
18	SM4051405SE	SCREW M5 L=14		*		2.00
19	11185105	SPOOL REST ROD,LOWER		*		1.00
20	11185501	SPOOL RETAINER		*		5.00
21	B3320704L00A	SPOOL PIN		*		5.00
22	B3311012000	SPOOL REST CUSHION		*		5.00
23	11966504	SPOOL REST		*		5.00
24	NM6050001SE	NUT M5		*		5.00
25	NM6060001SE	NUT M6		*		2.00
26	SK3382001SE	SCREW D=3.8 L=20		*		2.00
27	SM4061201SE	SCREW M6 L=12		*		2.00
28	B3321704L00	SPOOL REST ARM SUPPORT, A		*		1.00
29	B3317704000	NUT		*		1.00
30	WP1612616SE	WASHER 16X30X2.6		*		2.00
31	MAO11532000	CORD STAPLE		*		3.00
32	11970050	THREAD STANDING DEVICE ASM.	SPECIAL ORDER PART FOR LARGE SPOOL THREAD STAND (FOR JE)			1.00
33	B3321704L0B	SPOOL REST ARM SUPPORT, B		*		1.00
34	MAO11532000	CORD STAPLE		*		3.00
35	SK3382001SE	SCREW D=3.8 L=20		*		2.00
36	11969474	THREAD GUIDE ARM B ASM.		*		1.00
37	B3319704L00	THREAD GUIDE		*		1.00
38	11969573	SPOOL REST ARM A ASM.		*		2.00
39	B3319704L00	THREAD GUIDE		*		4.00
40	11969409	THREAD GUIDE ARM B		*		1.00
41	11969508	SPOOL REST ARM A		*		2.00
42	B3318704L00A	THREAD GUIDE ARM JOINT		*		6.00
43	SM6061610SC	SCREW M6 L=16		*		6.00
44	B3311704000	SPOOL REST ROD CAP		*		1.00
45	11185204	SPOOL REST ROD,UPPER		*		1.00
46	B3305704000A	SPOOL REST ROD JOINT		*		1.00
47	NM6050001SE	NUT M5		*		2.00

48	SM4051405SE	SCREW M5 L=14		*		2.00
49	B33097040A0	THREAD GUIDE ARM ASM.		*		1.00
50	B3311804000	LOWER THREAD GUIDE		*		1.00
51	SS7110540SP	SCREW 11/64-40 L=5		*		1.00
52	B3309704000	THREAD GUIDE ARM		*		1.00
53	B3304704000A	THREAD GUIDE ARM HOLDER		*		1.00
54	SM6053000SE	SCREW M5X0.8 L=30		*		1.00
55	NM6050001SE	NUT M5		*		1.00
56	11185105	SPOOL REST ROD,LOWER		*		1.00
57	11185501	SPOOL RETAINER		*		5.00
58	B3320704L00A	SPOOL PIN		*		5.00
59	B3311012000	SPOOL REST CUSHION		*		5.00
60	11966504	SPOOL REST		*		5.00
61	NM6050001SE	NUT M5		*		5.00
62	B3317704000	NUT		*		1.00
63	WP1612616SE	WASHER 16X30X2.6		*		2.00
64	B3321704L00	SPOOL REST ARM SUPPORT, A		*		1.00
65	SM4061201SE	SCREW M6 L=12		*		2.00
66	NM6060001SE	NUT M6		*		2.00

HOW TO MAKE USE OF THIS PARTS LIST

1.Explanation of codes

1)"*"mark.....means this part is changed from the previous parts book.

As to the details of the change, refer to the "List for information of change".

2)"#01".....refer to "Note" explanation at bottom of page.

2.Codes on the "Qty" column

· Each numeral indicates the number of parts required.

· "0.1" and "2.5" indicate the length (in meters) of the respective parts.

3.Parentheses mean that the corresponding part is a subpart that constructs an assembly part.

4.Dotted lines on the Figures indicate assembly parts.

1."注記"欄の記号説明

1) "*"印.....前回のパーツブックに比較して今回変更された部品を意味します。

変更内容は、"変更情報リスト"を参照してください。

2) "#01".....ページ下の"注記"の説明を参照してください。

2.数量欄の数字は、個数を表し、0.1、2.5等の数値は、長さ（単位メートル）を表します。

3.数量欄の（ ）は、組部品を構成している子部品であることを意味します。

4.イラストページの-----枠は、組構成であることを意味します。